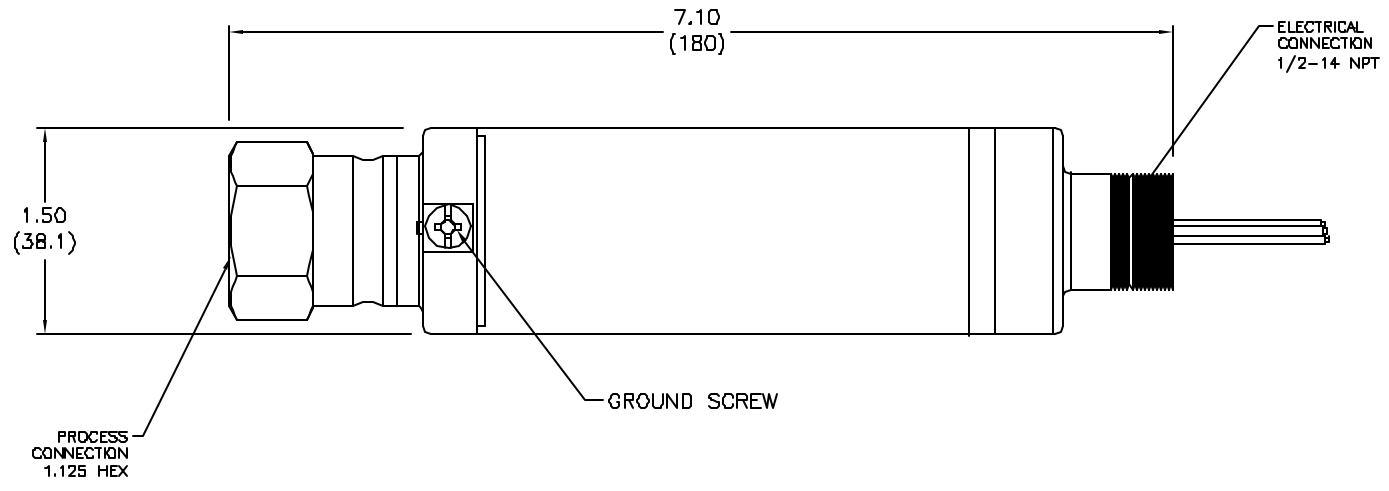
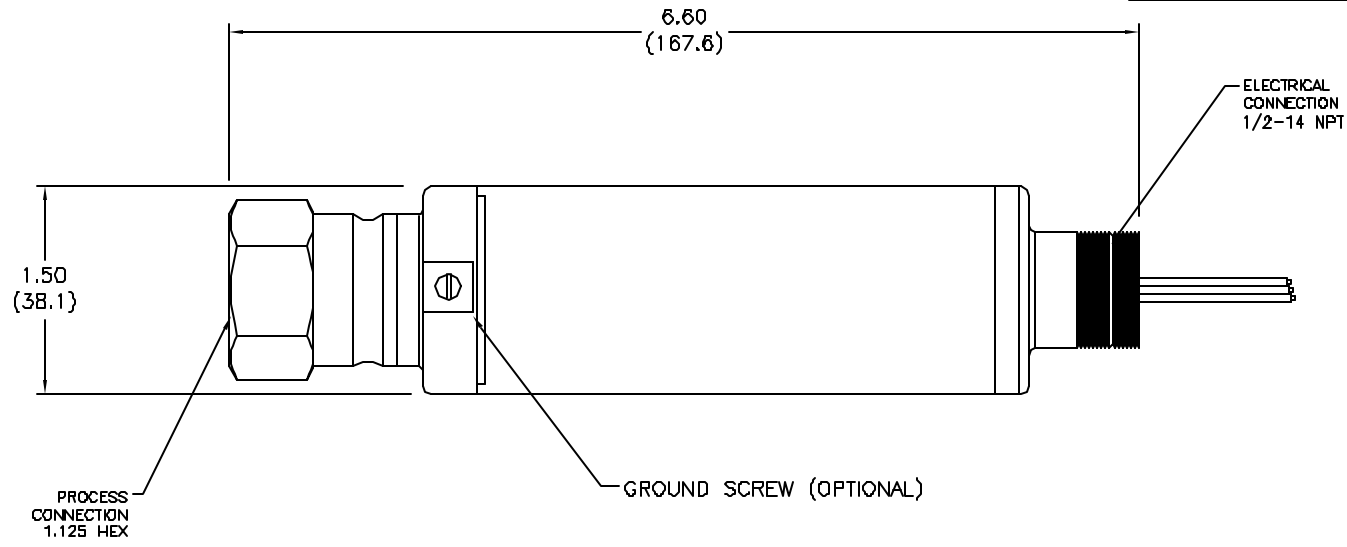


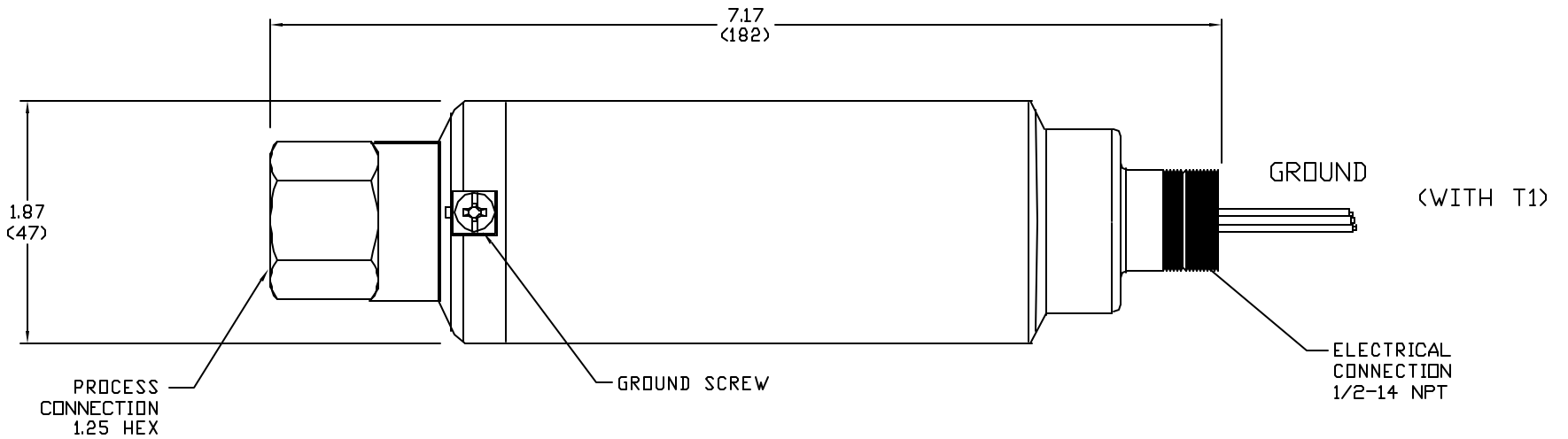
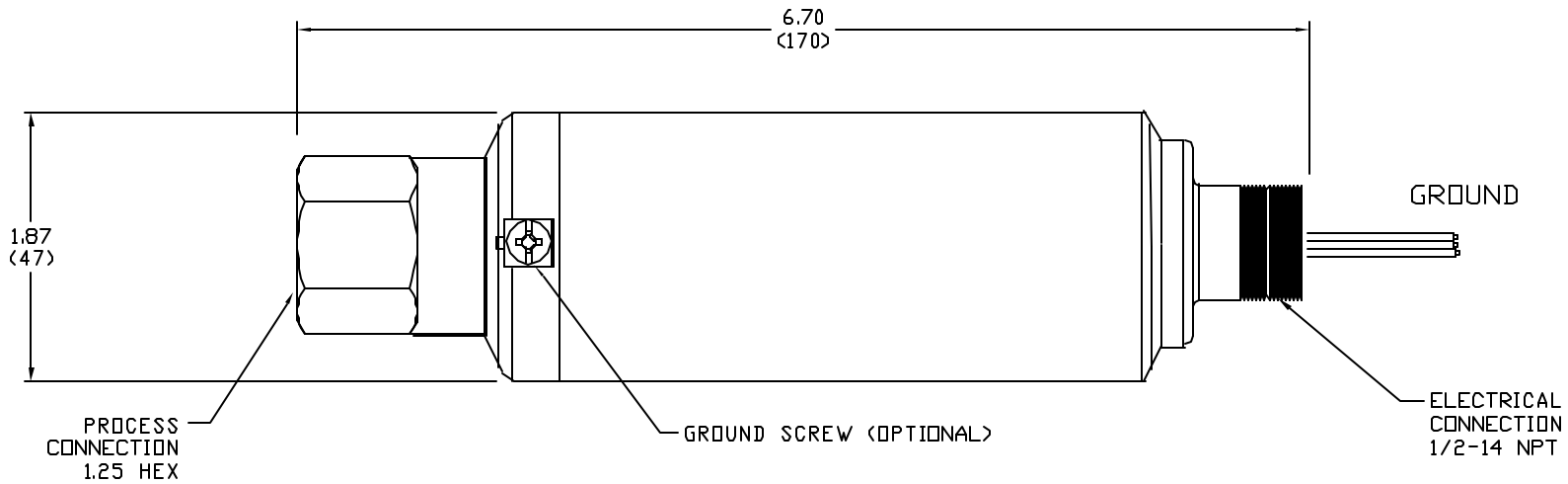
REVISIONS				
REV	DESCRIPTION	CHG.NO.	APP'D	DATE
AA	TYPE 1	RTG1015873	CM	7/25/03



(WITH T1)

<p>*UNLESS OTHERWISE SPECIFIED DIMENSIONS IN INCHES (MM)</p> <p>*ALL DIMENSIONS ARE NOMINAL AND ARE FOR REFERENCE ONLY</p>		<p>ROSEMOUNT® CHANHASSEN, MINNEBOTA</p>	
<p>DR. JOHN ARMSTRONGS</p> <p>APPROVAL</p>	<p>8/28/03</p>	<p>TITLE</p> <p>DIMENSIONAL DRAWING FOR</p> <p>MODEL 4600 SERIES</p>	
<p>APP. C. MCGUIRE</p>	<p>7/25/03</p>	<p>SIZE</p> <p>A</p>	<p>FSCM.NO.</p> <p>DRAWING NO.</p> <p>4620-6000</p>
<p>TAGGING</p>		<p>SCALE: NONE</p>	<p>WT.</p> <p>SHEET 1 OF 2</p>
<p>SPECIALS</p>			





ROSEMOUNT®
CHANHASSEN, MINNESOTA

SIZE A	DRAWING NO. 4620-6000
SCALE:	SHEET 2 OF 2