

Type 299H, 299HS, or S200 Retro-Fit of Stabilizing Parts

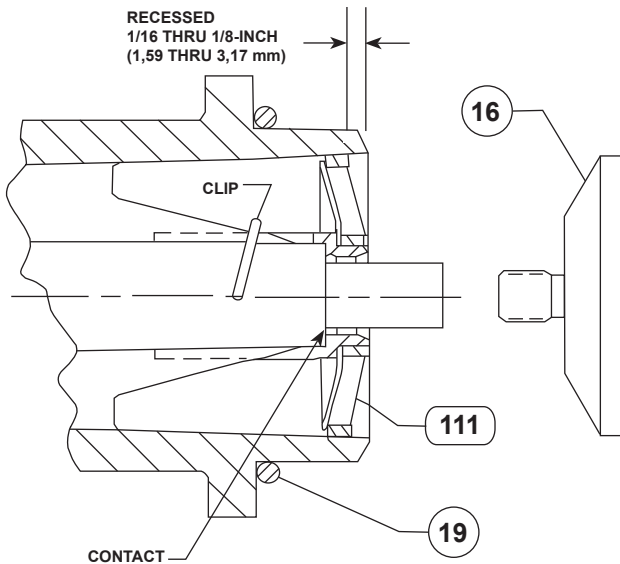


Figure 1. Stabilizing Boost Cartridge

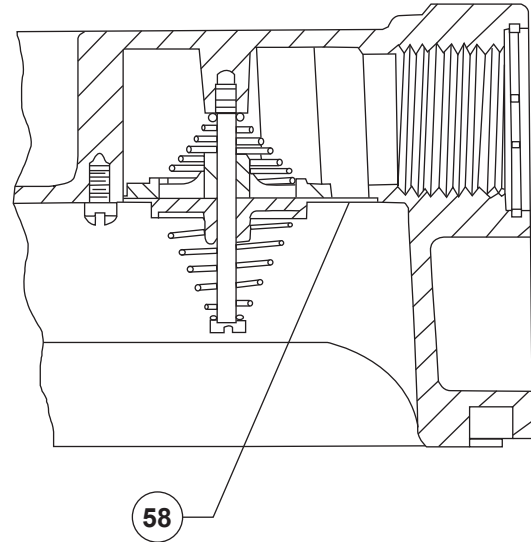


Figure 2. Vent Assembly in Spring Case
(not applicable for Types 299H and 299HS)

Kit Part Number RS200XRT012

Installation

1. Remove disk holder assembly (key 16, Figure 1).
2. Press in the plastic boost cartridge assembly (key 111, Figure 1) with both thumbs until it contacts the end of the stem guide inside the boost throat of the lower casing.

For Type S200 Only

3. If necessary, replace the metal vent seat ring (key 58, Figure 2) in the spring case vent. Replacement is not necessary for Type S200 regulators shipped before 1985 or after October 1992.

Note

The top edge of the plastic boost cartridge assembly should be recessed 1/16 thru 1/8-inch (1,59 thru 3,17 mm) per Figure 1.

Note

The new vent seat ring has only 1 small hole (1/16-inch diameter (1,59 mm)) in addition to the 3 screw holes. The old vent seat ring had 3 larger holes (5/32-inch diameter (4,00 mm)) in addition to the 3 screw holes.

Type 299H, 299HS, or S200

Industrial

USA - Headquarters
McKinney, Texas 75070 USA
Tel: 1-800-558-5856
Outside U.S. 1-469-293-4201

Asia-Pacific
Shanghai, China 201206
Tel: 86-21-5899 7887

Europe
Bologna, Italy 40013
Tel: 39 051 4190611

Natural Gas Technologies

USA - Headquarters
McKinney, Texas 75070
Tel: 1-800-558-5856
Outside U.S. 1-469-293-4201

Asia-Pacific
Singapore, Singapore 128461
Tel: +65 6777 8211

Europe
Bologna, Italy 40013
Tel: 39 051 4190611
Gallardon, France 28320
Tel: +33 (0)2 37 33 47 00

Industrial/High Purity

TESCOM
Elk River, Minnesota 55330 USA
Tel: 1-763-241-3238
Selmsdorf, Germany 23923
Tel: +49 (0) 38823 31 0

For further information visit www.emersonprocess.com/regulators

The Emerson logo is a trademark and service mark of Emerson Electric Co. All other marks are the property of their prospective owners. Fisher is a mark owned by Fisher Controls, Inc., a business of Emerson Process Management.

The contents of this publication are presented for informational purposes only, and while every effort has been made to ensure their accuracy, they are not to be construed as warranties or guarantees, express or implied, regarding the products or services described herein or their use or applicability. We reserve the right to modify or improve the designs or specifications of such products at any time without notice.

Emerson Process Management does not assume responsibility for the selection, use or maintenance of any product. Responsibility for proper selection, use and maintenance of any Emerson Process Management product remains solely with the purchaser.