

# Type AX/EX Series Powered Splice Connection Kits

**UL:**  
Class I, Division 2, Groups A, B, C, D  
Class II, Division 2, Groups F, G  
Class III, Division 1 and 2

**CSA:**  
Class I, Division 2, Groups B, C, D  
Class II, Groups E, F, G (Canada Only)  
Class III (Canada Only)  
Enclosure Type 4X, Temperature Code  
T6 – T3  
Class I, Zone 1; Ex e II; T6 – T3 ①

**FM:**  
Class I, Division 2, Groups B, C, D  
Class II, Groups E, F, G; Class III  
Enclosure Type 4X, IP66,  
Temperature Code T ①  
Class I Zone 1; AEx e IIC T  
-40°C ≤ Tamb ≤ 55°C

**ATEX:**  
① II 2 G Ex e IIC T6-T3 ① Gb  
② II 2 D Ex tb IIIC T80°-T195° C  
-40° C ≤ Tamb ≤ +55° C

## Applications

- The Powered Splice Connection Kit is designed to connect up to three heater cables to customer supplied power wiring.
- The AXPTC125 is designed per NEC/CEC requirements and provides entries compatible with 3/4" NPT conduit entry.
  - Standard terminal blocks are sized for maximum 8 AWG power supply wiring.
- The EXPTC125 is designed per IEC requirements and it provides entries compatible with M25 threaded glands and fittings.
  - Standard terminal blocks are sized for maximum 6 mm<sup>2</sup> power supply wiring.
- Kits are used to connect and terminate Nelson self-regulating heater cable series LT-J, LT-JT, HLT-J, XLT-J and CLT-JT. ②

## Features

- The enclosure must be rated to meet the specifics of the installed environment.
- Global-reach industrial-grade universal connection kits for Hazardous Locations.
- Certified for NEC/CEC (AX Series) and IEC (EX Series) installations.
- Incorporate rugged, non-metallic construction rated for IP66 / NEMA 4X.
- Designed with corrosion resistant, anti-static enclosures and components.
- Optional LED indicating light for positive verification of connection to supply power.
- Fit all wattages of Nelson LT-J, LT-JT, HLT-J, XLT-J and CLT-JT series self-regulating heater cables.
- Min Installation Temp: -40°C (-40°F)
- Temp Use Range: -50°C to +55°C (-58°F to 131°F) ambient
- Conductor Size: 1 mm<sup>2</sup> (18 AWG) to 6 mm<sup>2</sup> (8 AWG)
- Voltage Range: 300 Vac Maximum
- Ingress Protection: NEMA 4X, IP66
- Max Amperage: 14 Amp CLT Series, 18 Amp LT Series, HLT Series, 25 Amp XLT Series
- Enclosure Material: Glass reinforced, carbon-loaded, polyester, UV resistant, polymer
- Weight: 2 kg (4.4 lbs)

## Accessories

- Pipe clamp to secure standoff to pipe (one is included in each kit):
  - PC03 – 80 mm (3 in) and smaller pipe
  - PC12 – 80 mm (3 in) to 12 inch (300 mm) pipe
  - PC20 – 300 mm (12 inch) to 20 inch (500 mm) pipe
- Small pipe adapter: HC-SPA – 25 mm (1.0 in) and smaller pipe

## Ordering Information

- One kit should be ordered for each type of connection needed.
- A pipe clamp of the appropriate size for the pipe must be selected (-3 for PC03, -12 for PC12, -20 for PC20) for each connection kit.
- A small pipe adapter kit must be ordered for each kit for installation on 25 mm (1") or smaller pipe.

① For temperature code, see heating cable or design information

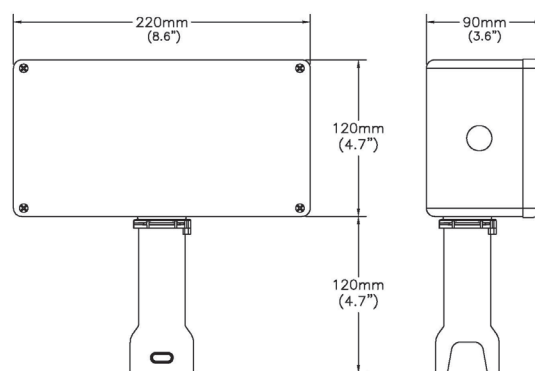
② Ordinary (Unclassified) Location Only



AXPTC125

AXPTC125-LR

## Dimensions in Millimeters (Inches)



## Certifications and Compliances

- UL Standard: 50 Ed. 12
- UL Listed: E53501, E49805
- CSA Standard: C22.2 No. 130-16, C22.2 No. 94-R2011, C22.2 No. 213-16
- CSA Certified: LR42103, LR42104
- FM Standard: 3600:2011, 3611:2004, 3616:2011
- FM Approved: 3047182
- ATEX Certified: 07ATEX0124
- IECEx Certified: KEM 07.0041
- Other Standards: IEC/IEEE 60079-30-1:2015, IEC 60529:2004, 60079-0:2011, 60079-7:2006, 60079-31:2013, IEEE 515-2011, IEEE 515.1-2012, ANSI/ISA 12.12.01-2015

# Type AX/EX Series Powered Splice Connection Kits

**UL:**  
 Class I, Division 2, Groups A, B, C, D  
 Class II, Division 2, Groups F, G  
 Class III, Division 1 and 2

**CSA:**  
 Class I, Division 2, Groups B, C, D  
 Class II, Groups E, F, G (Canada Only)  
 Class III (Canada Only)  
 Enclosure Type 4X, Temperature Code  
 T6 – T3  
 Class I, Zone 1; Ex e II; T6 – T3 ①

**FM:**  
 Class I, Division 2, Groups B, C, D  
 Class II, Groups E, F, G; Class III  
 Enclosure Type 4X, IP66,  
 Temperature Code T ①  
 Class I Zone 1; AEx e IIC T  
 -40°C ≤ Tamb ≤ 55°C

**ATEX:**  
 ② II 2 G Ex e IIC T6-T3 ① Gb  
 ② II 2 D Ex tb IIIC T80°-T195° C  
 -40° C ≤ Tamb ≤ +55° C

## Selection Table

Kit Contents	AXPTC125 ②	EXPTC125 ②
Junction Box, Lid, and Terminal Block	with ¾" NPT entry	with M25 threaded entry
Standoff	1	1
6" Guide Tubes	6	6
Enclosure Adapter	1	1
Silicone End Termination Fitting	3	3
Silicone Power Termination Fitting	3	3
Silicone Adhesive	1	1
Cable Clamp	1	1
Locknut	1	1
Cable Grommets	1	1
Green Wire Tubing	3	3
Cable Tie	1	1

**NELSON™**

INDUSTRIAL HEATING SYSTEMS: INTEGRAL CONNECTION SYSTEMS

① For temperature code, see heating cable or design information.

② Use suffix **-LR** for Red or **-LG** for Green indicating light.