

TE4X60-TC Thermostat

Ordinary Location Thermostat

CSA:
Ordinary (Unclassified) Locations

FM:
Ordinary (Unclassified) Locations

CONTROL AND MONITORING SYSTEMS: THERMOSTATS

NELSON™

Applications

- TE4X60-TC thermostat is used for high temperature piping on freeze protection and process maintenance applications in ordinary (unclassified) locations.
- Includes 3-pole, 50A contactor.

Features

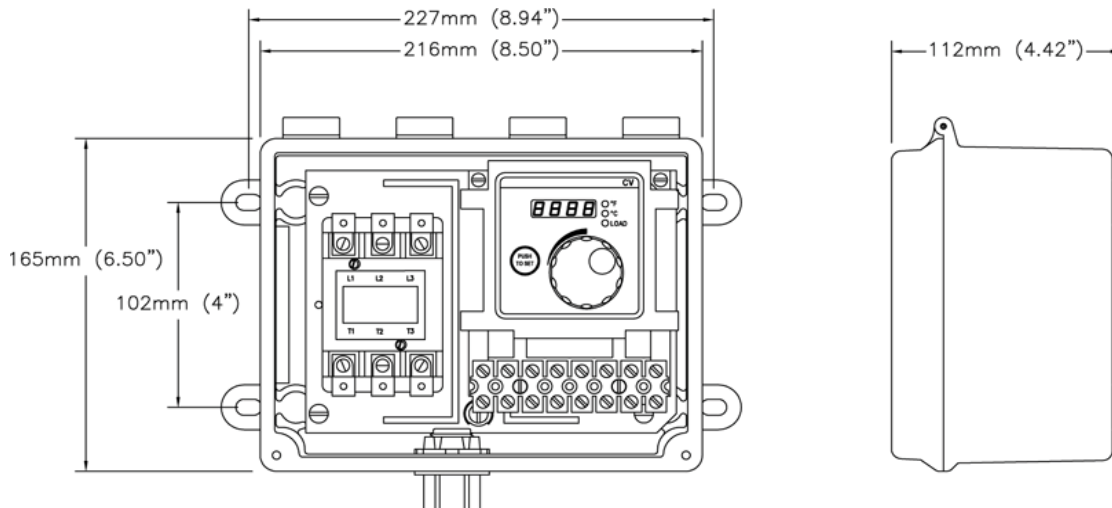
- Enclosure: Molded Fiberglass Polyester
- Classifications: NEMA Type 4X IP66
- Temperature Range: +0 to +538°C (+32 to +1000°F)
- Capillary
 - Length: 3m (10ft)
 - Material: Incoloy 825
 - Maximum Bulb Temperature: +593°C (+1100°F)
- Electrical Data:
 - Load Switch: 50 amp resistive @ 480 Vac
 - Control Voltage: 120 Vac
- Calibration Accuracy: ±1% of span
- Switch Type: Triple Pole Single Throw

Certifications and Compliances

- CSA Certified: LR53336
- FM Approved: JI 3003367



Dimensions in Millimeters (Inches)



TE4X60-TC Thermostat

Ordinary Location Thermostat

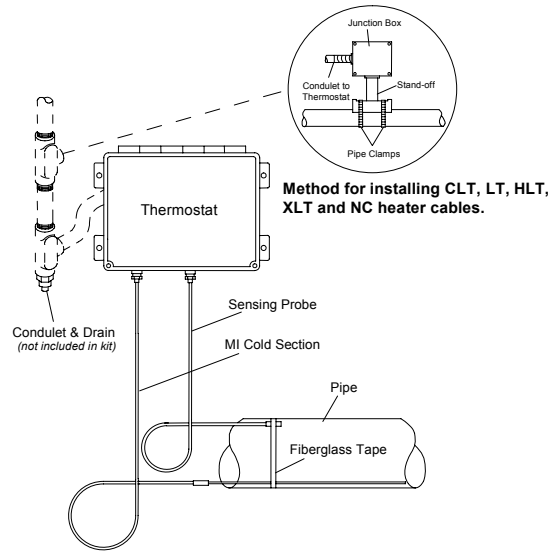
CSA:
Ordinary (Unclassified) Locations

FM:
Ordinary (Unclassified) Locations

Annual Maintenance

Spray a coat of lubricant and rust preventative such as CRC Store and Lube on the electrical wire connections.

Installation



Installation Notes

- Securely mount thermostat enclosure and connect to power wiring.
- Verify thermostat set point is at the desired maintenance temperature.
- Close enclosure cover to prevent damage from inclement weather.
- Insure all fittings associated with the power wiring are installed per applicable codes.
- When conduit type systems are used, low point drains / conduit drains are highly recommended.

Wiring Diagram

