

1 **EU - TYPE EXAMINATION CERTIFICATE**

2 **Equipment or Protective System Intended for use in Potentially Explosive Atmospheres  
Directive 2014/34/EU**

3 EU - Type Examination Certificate Number: **Baseefa16ATEX0141**

4 Product: **K1 & K2 Series IS Position Monitors**

5 This certificate is held by: **Topworx Incorporated**

6 Address: **3300 Fern Valley Road, Louisville, Kentucky 40213. USA**

7 This product and any acceptable variation thereto is specified in the schedule to this certificate and the documents therein referred to.

8 SGS Baseefa, Notified Body number 1180, in accordance with Article 17 of Directive 2014/34/EU of the European Parliament and of the Council, dated 26 February 2014, certifies that this product has been found to comply with the Essential Health and Safety Requirements relating to the design and construction of products intended for use in potentially explosive atmospheres given in Annex II to the Directive.

The examination and test results are recorded in confidential Report No. GB/BAS/ExTR16.0262/00

9 Compliance with the Essential Health and Safety Requirements has been assured by compliance with:

**EN 60079-0: 2012 + A11: 2013 EN 60079-11: 2012 EN 60079-31: 2014**

except in respect of those requirements listed at item 18 of the Schedule.

10 If the sign "X" is placed after the certificate number, it indicates that the product is subject to the Specific Conditions of Use specified in the schedule to this certificate.

11 This EU - TYPE EXAMINATION CERTIFICATE relates only to the design and construction of the specified product. Further requirements of the Directive apply to the manufacturing process and supply of this product. These are not covered by this certificate.

12 The marking of the product shall include the following :

**See Certificate Schedule**

SGS Baseefa Customer Reference No. **2191**

Project File No. **16/0390**

This document is issued by the Company subject to its General Conditions for Certification Services accessible at <http://www.sgs.com/en/Terms-and-Conditions.aspx> and the Supplementary Terms and Conditions accessible at <http://www.sgs.com/SGSBaseefa/Terms-and-Conditions.aspx>. Attention is drawn to the limitation of liability, indemnification and jurisdiction issues defined therein. Any holder of this document is advised that information contained herein reflects the Company's findings at the time of its intervention only and within the limits of Client's instructions, if any. It does not necessarily indicate that the equipment may be used in particular industries or circumstances. The Company's sole responsibility is to its Client and this document does not exonerate parties to a transaction from exercising all their rights and obligations under the transaction documents. This document cannot be reproduced except in full, schedule included, without prior written approval of the Company. Any unauthorized alteration, forgery or falsification of the content or appearance of this document is unlawful and offenders may be prosecuted to the fullest extent of the law.

**SGS Baseefa Limited**

Rockhead Business Park, Staden Lane,  
Buxton, Derbyshire SK17 9RZ

Telephone +44 (0) 1298 766600 Fax +44 (0) 1298 766601  
e-mail [baseefa@sgs.com](mailto:baseefa@sgs.com) web site [www.sgs.co.uk/baseefa](http://www.sgs.co.uk/baseefa)

Registered in England No. 4305578.

Registered address: Rossmore Business Park, Ellesmere Port, Cheshire, CH65 3EN

  
R S SINCLAIR *ALLAN O'CONNOR*  
TECHNICAL MANAGER

On behalf of SGS Baseefa Limited

13

## Schedule

14

### Certificate Number Baseefa16ATEX0141

#### 15 Description of Product

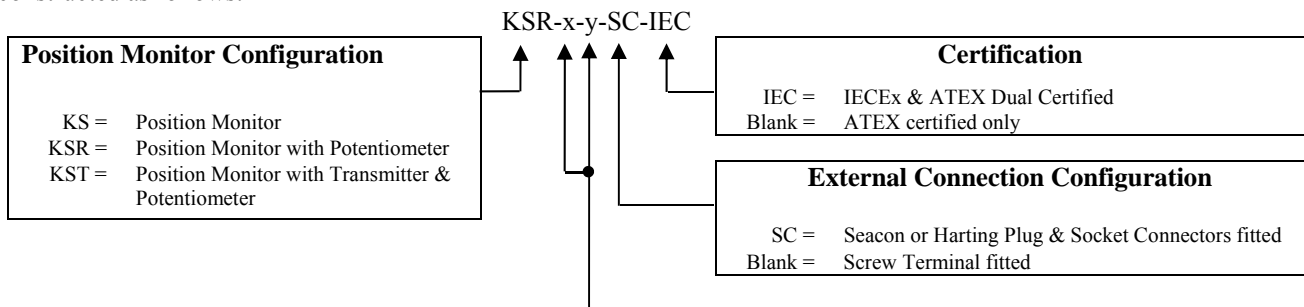
The K1 Series IS Position Monitor comprises either a stainless steel or painted aluminium enclosure containing a number of terminal blocks, up to three volt-free switches, up to three certified proximity switches or sensors, a potentiometer or a certified transmitter in any combination plus interconnection facilities for remote mounted intrinsically safe equipment connections.

The larger K2 Series IS Position Monitor comprises either a stainless steel or painted aluminium enclosure containing a number of terminal blocks, up to four volt-free switches, up to four certified proximity switches or sensors, a potentiometer or a certified transmitter in any combination plus interconnection facilities for remote mounted intrinsically safe equipment connections.

The K1 & K2 Series IS Position Monitors may include an optional mechanical visual position indicator. External connections to the equipment are made using screw terminals via threaded entries into the enclosure. The installation of the external connections and plugging of unused entries must be carried out using appropriately certified IP6x cable glands and blanking plugs.

Gas only certified variants of the equipment (-SC Model No. prefix) are available with external connections via either Harting or Seacon Plug and Socket connectors.

The components installed within the K1 & K2 Series IS Position Monitors are defined by the Type number which is constructed as follows:



#### Position Monitor Configuration – 1 or 2 of the following component fitted

M	Volt-Free Contacts
MH	Volt-Free Contacts (100°C High Ambient Temperature)
MR	Volt-Free Contacts with Resistors
LM	Volt-Free Contacts (-50°C Low Ambient Temperature)
LMH	Volt-Free Contacts (-50°C to 100°C Ambient Temperature range)
LMR	Volt-Free Contacts with Resistors (-50°C Low Ambient Temperature)
P	Type 3 Pepperl and Fuchs Proximity Switches / Sensors
PH	Type 1 Pepperl and Fuchs Proximity Switches / Sensors
LP	Type 3 -40°C Low Ambient Temperature Pepperl and Fuchs Proximity Switches / Sensors
LP-50	Type 3 -50°C Low Ambient Temperature Pepperl and Fuchs Proximity Switches / Sensors
LPH	Type 1 -40°C Low Ambient Temperature Pepperl and Fuchs Proximity Switches / Sensors
LPH-50	Type 1 -50°C Low Ambient Temperature Pepperl and Fuchs Proximity Switches / Sensors
F	IFM Proximity Switches / Sensors
LF	-40°C Low Ambient Temperature IFM Proximity Switches / Sensors
PF	-40°C Low Ambient Temperature PR Electronics Transmitter
PL	-40°C Low Ambient Temperature PR Electronics FISCO 'ib' Transmitter
T	Hans Turck GmbH Proximity Switches / Sensors
LT	-40°C Low Ambient Temperature Hans Turck GmbH Proximity Switches / Sensors
ET	Endress & Hauser Transmitter
AT	ABB Automation Product GmbH Transmitter
PT	PR Electronics Transmitter
RT	Rosemount Transmitter
T4	T4 Potentiometer fitted (KSR Models only)
T6	T6 / T5 / T4 Potentiometer fitted (KSR Models only)

See Table 5 for certification details of the above Proximity Switches / Sensors and Transmitters

Tables 1 and 2 lists the certification codes and input parameters of the various configurations of the dust & gas dual certified and ATEX only certified variants of the K1 & K2 Series IS Position Monitor.

Tables 3 and 4 lists the certification codes and input parameters of the various configurations of the gas only dual certified and ATEX only certified variants of the K1 & K2 Series IS Position Monitor.

In addition to the input parameters specified below, all variants of the equipment can be additionally fitted with terminals for the connection of remote I.S equipment. These terminal connections have the following input parameters:

$$U_i = 30V$$

Table 1: Dual IECEx & ATEX Model Certification Code & Input Parameters

Model Number	Certification Code(s)	Input Parameters
KS-M-IEC	⊕ II 2GD Ex ia IIC T6 Gb (-20°C ≤ T <sub>a</sub> ≤ +70°C) Ex tb IIIC T85°C Db (-20°C ≤ T <sub>a</sub> ≤ +70°C)	Volt-Free Contacts: U <sub>i</sub> = 28V, I <sub>i</sub> = 120mA, P <sub>i</sub> = 1.3W, C <sub>i</sub> = 0 & L <sub>i</sub> = 0
KS-MH-IEC	⊕ II 2GD Ex ia IIC T4 Gb (-20°C ≤ T <sub>a</sub> ≤ +100°C) Ex ia IIC T6 Gb (-20°C ≤ T <sub>a</sub> ≤ +70°C) Ex tb IIIC T135°C Db (-20°C ≤ T <sub>a</sub> ≤ +100°C) Ex tb IIIC T85°C Db (-20°C ≤ T <sub>a</sub> ≤ +70°C)	Volt-Free Contacts: U <sub>i</sub> = 28V, I <sub>i</sub> = 120mA, P <sub>i</sub> = 1.3W, C <sub>i</sub> = 0 & L <sub>i</sub> = 0
KS-MR-IEC	⊕ II 2GD Ex ia IIC T4 Gb (-20°C ≤ T <sub>a</sub> ≤ +60°C) Ex tb IIIC T135°C Db (-20°C ≤ T <sub>a</sub> ≤ +60°C)	Volt-Free Contacts & Resistors: U <sub>i</sub> = 28V, I <sub>i</sub> = 120mA, P <sub>i</sub> = 1.2W, C <sub>i</sub> = 0 & L <sub>i</sub> = 0
KS-LM-IEC	⊕ II 2GD Ex ia IIC T6 Gb (-50°C ≤ T <sub>a</sub> ≤ +70°C) Ex tb IIIC T85°C Db (-50°C ≤ T <sub>a</sub> ≤ +70°C)	Volt-Free Contacts: U <sub>i</sub> = 28V, I <sub>i</sub> = 120mA, P <sub>i</sub> = 1.3W, C <sub>i</sub> = 0 & L <sub>i</sub> = 0
KS-LMH-IEC	⊕ II 2GD Ex ia IIC T4 Gb (-50°C ≤ T <sub>a</sub> ≤ +100°C) Ex ia IIC T6 Gb (-50°C ≤ T <sub>a</sub> ≤ +70°C) Ex tb IIIC T135°C Db (-50°C ≤ T <sub>a</sub> ≤ +100°C) Ex tb IIIC T85°C Db (-50°C ≤ T <sub>a</sub> ≤ +70°C)	Volt-Free Contacts: U <sub>i</sub> = 28V, I <sub>i</sub> = 120mA, P <sub>i</sub> = 1.3W, C <sub>i</sub> = 0 & L <sub>i</sub> = 0
KS-LMR-IEC	⊕ II 2GD Ex ia IIC T4 Gb (-50°C ≤ T <sub>a</sub> ≤ +60°C) Ex tb IIIC T135°C Db (-50°C ≤ T <sub>a</sub> ≤ +60°C)	Volt-Free Contacts & Resistors: U <sub>i</sub> = 28V, I <sub>i</sub> = 120mA, P <sub>i</sub> = 1.2W, C <sub>i</sub> = 0 & L <sub>i</sub> = 0
KS-P-IEC	⊕ II 2GD Ex ia IIC T5 Gb (-25°C ≤ T <sub>a</sub> ≤ +57°C) Ex ia IIC T6 Gb (-25°C ≤ T <sub>a</sub> ≤ +42°C) Ex tb IIIC T100°C Db (-25°C ≤ T <sub>a</sub> ≤ +57°C) Ex tb IIIC T85°C Db (-25°C ≤ T <sub>a</sub> ≤ +42°C)	Each Sensor: U <sub>i</sub> = 16V, I <sub>i</sub> = 52mA, P <sub>i</sub> = 0.169W, C <sub>i</sub> = 100nF & L <sub>i</sub> = 550μH
KS-PH-IEC	⊕ II 2GD Ex ia IIC T5 Gb (-25°C ≤ T <sub>a</sub> ≤ +87°C) Ex ia IIC T6 Gb (-25°C ≤ T <sub>a</sub> ≤ +72°C) Ex tb IIIC T100°C Db (-25°C ≤ T <sub>a</sub> ≤ +87°C) Ex tb IIIC T85°C Db (-25°C ≤ T <sub>a</sub> ≤ +72°C)	Each Sensor: U <sub>i</sub> = 16V, I <sub>i</sub> = 25mA, P <sub>i</sub> = 0.034W, C <sub>i</sub> = 100nF & L <sub>i</sub> = 550μH
KS-LP-IEC	⊕ II 2GD Ex ia IIC T5 Gb (-40°C ≤ T <sub>a</sub> ≤ +60°C) Ex ia IIC T6 Gb (-40°C ≤ T <sub>a</sub> ≤ +45°C) Ex tb IIIC T100°C Db (-40°C ≤ T <sub>a</sub> ≤ +60°C) Ex tb IIIC T85°C Db (-40°C ≤ T <sub>a</sub> ≤ +45°C)	Each Sensor: U <sub>i</sub> = 16V, I <sub>i</sub> = 52mA, P <sub>i</sub> = 0.169W, C <sub>i</sub> = 120nF & L <sub>i</sub> = 200μH
KS-LPH-IEC	⊕ II 2GD Ex ia IIC T5 Gb (-40°C ≤ T <sub>a</sub> ≤ +88°C) Ex ia IIC T6 Gb (-40°C ≤ T <sub>a</sub> ≤ +73°C) Ex tb IIIC T100°C Db (-40°C ≤ T <sub>a</sub> ≤ +88°C) Ex tb IIIC T85°C Db (-40°C ≤ T <sub>a</sub> ≤ +73°C)	Each Sensor: U <sub>i</sub> = 16V, I <sub>i</sub> = 25mA, P <sub>i</sub> = 0.034W, C <sub>i</sub> = 120nF & L <sub>i</sub> = 200μH

Model Number	Certification Code(s)	Input Parameters
KS-LP-50-IEC	$\text{Ex}$ II 2GD Ex ia IIC T5 Gb $(-50^{\circ}\text{C} \leq T_a \leq +60^{\circ}\text{C})$ Ex ia IIC T6 Gb $(-50^{\circ}\text{C} \leq T_a \leq +45^{\circ}\text{C})$ Ex tb IIIC T100 $^{\circ}\text{C}$ Db $(-50^{\circ}\text{C} \leq T_a \leq +60^{\circ}\text{C})$ Ex tb IIIC T85 $^{\circ}\text{C}$ Db $(-50^{\circ}\text{C} \leq T_a \leq +45^{\circ}\text{C})$	Each Sensor: $U_i = 16\text{V}$ , $I_i = 52\text{mA}$ , $P_i = 0.169\text{W}$ , $C_i = 70\text{nF}$ & $L_i = 150\mu\text{H}$
KS-LPH-50-IEC	$\text{Ex}$ II 2GD Ex ia IIC T5 Gb $(-50^{\circ}\text{C} \leq T_a \leq +88^{\circ}\text{C})$ Ex ia IIC T6 Gb $(-50^{\circ}\text{C} \leq T_a \leq +73^{\circ}\text{C})$ Ex tb IIIC T100 $^{\circ}\text{C}$ Db $(-50^{\circ}\text{C} \leq T_a \leq +88^{\circ}\text{C})$ Ex tb IIIC T85 $^{\circ}\text{C}$ Db $(-50^{\circ}\text{C} \leq T_a \leq +73^{\circ}\text{C})$	Each Sensor: $U_i = 16\text{V}$ , $I_i = 25\text{mA}$ , $P_i = 0.034\text{W}$ , $C_i = 70\text{nF}$ & $L_i = 150\mu\text{H}$
KS-F-IEC	$\text{Ex}$ II 2GD Ex ia IIC T6 Gb $(-20^{\circ}\text{C} \leq T_a \leq +70^{\circ}\text{C})$ Ex tb IIIC T85 $^{\circ}\text{C}$ Db $(-20^{\circ}\text{C} \leq T_a \leq +70^{\circ}\text{C})$	Each Sensor: $U_i = 15\text{V}$ , $I_i = 50\text{mA}$ , $P_i = 0.12\text{W}$ , $C_i = 145\text{nF}$ & $L_i = 340\mu\text{H}$
KS-LF-IEC	$\text{Ex}$ II 2GD Ex ia IIC T6 Gb $(-40^{\circ}\text{C} \leq T_a \leq +60^{\circ}\text{C})$ Ex tb IIIC T85 $^{\circ}\text{C}$ Db $(-40^{\circ}\text{C} \leq T_a \leq +60^{\circ}\text{C})$	Each Sensor: $U_i = 15\text{V}$ , $I_i = 50\text{mA}$ , $P_i = 0.12\text{W}$ , $C_i = 150\text{nF}$ & $L_i = 150\mu\text{H}$
KS-T-IEC	$\text{Ex}$ II 2GD Ex ia IIC T6 Gb $(-20^{\circ}\text{C} \leq T_a \leq +70^{\circ}\text{C})$ Ex tb IIIC T85 $^{\circ}\text{C}$ Db $(-20^{\circ}\text{C} \leq T_a \leq +70^{\circ}\text{C})$	Each Sensor: $U_i = 20\text{V}$ , $I_i = 60\text{mA}$ , $P_i = 0.08\text{W}$ , $C_i = 250\text{nF}$ & $L_i = 350\mu\text{H}$
KS-LT-IEC	$\text{Ex}$ II 2GD Ex ia IIC T6 Gb $(-40^{\circ}\text{C} \leq T_a \leq +70^{\circ}\text{C})$ Ex tb IIIC T85 $^{\circ}\text{C}$ Db $(-40^{\circ}\text{C} \leq T_a \leq +70^{\circ}\text{C})$	Each Sensor: $U_i = 20\text{V}$ , $I_i = 20\text{mA}$ , $P_i = 0.20\text{W}$ , $C_i = 150\text{nF}$ & $L_i = 150\mu\text{H}$
KSR-T4-IEC	$\text{Ex}$ II 2GD Ex ia IIC T4 Gb $(-40^{\circ}\text{C} \leq T_a \leq +70^{\circ}\text{C})$ Ex tb IIIC T135 $^{\circ}\text{C}$ Db $(-40^{\circ}\text{C} \leq T_a \leq +70^{\circ}\text{C})$	Potentiometer: $U_i = 28\text{V}$ , $P_i = 0.84\text{W}$ , $C_i = 0$ & $L_i = 0$
KSR-T6-IEC	$\text{Ex}$ II 2GD Ex ia IIC T4 Gb $(-40^{\circ}\text{C} \leq T_a \leq +70^{\circ}\text{C})$ Ex ia IIC T5 Gb $(-40^{\circ}\text{C} \leq T_a \leq +55^{\circ}\text{C})$ Ex ia IIC T6 Gb $(-40^{\circ}\text{C} \leq T_a \leq +40^{\circ}\text{C})$ Ex tb IIIC T135 $^{\circ}\text{C}$ Db $(-40^{\circ}\text{C} \leq T_a \leq +70^{\circ}\text{C})$ Ex tb IIIC T100 $^{\circ}\text{C}$ Db $(-40^{\circ}\text{C} \leq T_a \leq +55^{\circ}\text{C})$ Ex tb IIIC T85 $^{\circ}\text{C}$ Db $(-40^{\circ}\text{C} \leq T_a \leq +40^{\circ}\text{C})$	Potentiometer: $U_i = 28\text{V}$ , $P_i = 0.19\text{W}$ , $C_i = 0$ & $L_i = 0$
KSR-LM-T4-IEC	$\text{Ex}$ II 2GD Ex ia IIC T4 Gb $(-50^{\circ}\text{C} \leq T_a \leq +70^{\circ}\text{C})$ Ex tb IIIC T135 $^{\circ}\text{C}$ Db $(-50^{\circ}\text{C} \leq T_a \leq +70^{\circ}\text{C})$	Potentiometer: $U_i = 28\text{V}$ , $P_i = 0.84\text{W}$ , $C_i = 0$ & $L_i = 0$ Volt-Free Contacts: $U_i = 28\text{V}$ , $I_i = 120\text{mA}$ , $P_i = 1.3\text{W}$ , $C_i = 0$ & $L_i = 0$
KSR-LM-T6-IEC	$\text{Ex}$ II 2GD Ex ia IIC T4 Gb $(-50^{\circ}\text{C} \leq T_a \leq +70^{\circ}\text{C})$ Ex ia IIC T5 Gb $(-50^{\circ}\text{C} \leq T_a \leq +55^{\circ}\text{C})$ Ex ia IIC T6 Gb $(-50^{\circ}\text{C} \leq T_a \leq +40^{\circ}\text{C})$ Ex tb IIIC T135 $^{\circ}\text{C}$ Db $(-50^{\circ}\text{C} \leq T_a \leq +70^{\circ}\text{C})$ Ex tb IIIC T100 $^{\circ}\text{C}$ Db $(-50^{\circ}\text{C} \leq T_a \leq +55^{\circ}\text{C})$ Ex tb IIIC T85 $^{\circ}\text{C}$ Db $(-50^{\circ}\text{C} \leq T_a \leq +40^{\circ}\text{C})$	Potentiometer: $U_i = 28\text{V}$ , $P_i = 0.19\text{W}$ , $C_i = 0$ & $L_i = 0$ Volt-Free Contacts: $U_i = 28\text{V}$ , $I_i = 120\text{mA}$ , $P_i = 1.3\text{W}$ , $C_i = 0$ & $L_i = 0$
KSR-LMR-T4-IEC	$\text{Ex}$ II 2GD Ex ia IIC T4 Gb $(-50^{\circ}\text{C} \leq T_a \leq +60^{\circ}\text{C})$ Ex tb IIIC T135 $^{\circ}\text{C}$ Db $(-50^{\circ}\text{C} \leq T_a \leq +60^{\circ}\text{C})$	Potentiometer: $U_i = 28\text{V}$ , $P_i = 0.84\text{W}$ , $C_i = 0$ & $L_i = 0$ Volt-Free Contacts & Resistors: $U_i = 28\text{V}$ , $I_i = 120\text{mA}$ , $P_i = 1.2\text{W}$ , $C_i = 0$ & $L_i = 0$
KSR-P-T4-IEC	$\text{Ex}$ II 2GD Ex ia IIC T4 Gb $(-25^{\circ}\text{C} \leq T_a \leq +70^{\circ}\text{C})$ Ex tb IIIC T135 $^{\circ}\text{C}$ Db $(-25^{\circ}\text{C} \leq T_a \leq +70^{\circ}\text{C})$	Potentiometer: $U_i = 28\text{V}$ , $P_i = 0.84\text{W}$ , $C_i = 0$ & $L_i = 0$ Each Sensor: $U_i = 16\text{V}$ , $I_i = 52\text{mA}$ , $P_i = 0.169\text{W}$ , $C_i = 100\text{nF}$ & $L_i = 550\mu\text{H}$



Model Number	Certification Code(s)	Input Parameters
KSR-P-T6-IEC	<p>⊕ II 2GD                      Ex ia IIC T4 Gb (-25°C ≤ T<sub>a</sub> ≤ +70°C)                      Ex ia IIC T5 Gb (-25°C ≤ T<sub>a</sub> ≤ +55°C)                      Ex ia IIC T6 Gb (-25°C ≤ T<sub>a</sub> ≤ +40°C)                      Ex tb IIIC T135°C Db (-25°C ≤ T<sub>a</sub> ≤ +70°C)                      Ex tb IIIC T100°C Db (-25°C ≤ T<sub>a</sub> ≤ +55°C)                      Ex tb IIIC T85°C Db (-25°C ≤ T<sub>a</sub> ≤ +40°C)</p>	<p>Potentiometer: U<sub>i</sub> = 28V, P<sub>i</sub> = 0.19W,                      C<sub>i</sub> = 0 &amp; L<sub>i</sub> = 0                      Each Sensor: U<sub>i</sub> = 16V, I<sub>i</sub> = 52mA,                      P<sub>i</sub> = 0.169W, C<sub>i</sub> = 100nF &amp; L<sub>i</sub> = 550μH</p>
KSR-LP-T4-IEC	<p>⊕ II 2GD                      Ex ia IIC T4 Gb (-40°C ≤ T<sub>a</sub> ≤ +70°C)                      Ex tb IIIC T135°C Db (-40°C ≤ T<sub>a</sub> ≤ +70°C)</p>	<p>Potentiometer: U<sub>i</sub> = 28V, P<sub>i</sub> = 0.84W,                      C<sub>i</sub> = 0 &amp; L<sub>i</sub> = 0                      Each Sensor: U<sub>i</sub> = 16V, I<sub>i</sub> = 52mA,                      P<sub>i</sub> = 0.169W, C<sub>i</sub> = 120nF &amp; L<sub>i</sub> = 200μH</p>
KSR-LP-T6-IEC	<p>⊕ II 2GD                      Ex ia IIC T4 Gb (-40°C ≤ T<sub>a</sub> ≤ +70°C)                      Ex ia IIC T5 Gb (-40°C ≤ T<sub>a</sub> ≤ +55°C)                      Ex ia IIC T6 Gb (-40°C ≤ T<sub>a</sub> ≤ +40°C)                      Ex tb IIIC T135°C Db (-40°C ≤ T<sub>a</sub> ≤ +70°C)                      Ex tb IIIC T100°C Db (-40°C ≤ T<sub>a</sub> ≤ +55°C)                      Ex tb IIIC T85°C Db (-40°C ≤ T<sub>a</sub> ≤ +40°C)</p>	<p>Potentiometer: U<sub>i</sub> = 28V, P<sub>i</sub> = 0.19W,                      C<sub>i</sub> = 0 &amp; L<sub>i</sub> = 0                      Each Sensor: U<sub>i</sub> = 16V, I<sub>i</sub> = 52mA,                      P<sub>i</sub> = 0.169W, C<sub>i</sub> = 120nF &amp; L<sub>i</sub> = 200μH</p>
KSR-LP-50-T4-IEC	<p>⊕ II 2GD                      Ex ia IIC T4 Gb (-50°C ≤ T<sub>a</sub> ≤ +70°C)                      Ex tb IIIC T135°C Db (-50°C ≤ T<sub>a</sub> ≤ +70°C)</p>	<p>Potentiometer: U<sub>i</sub> = 28V, P<sub>i</sub> = 0.84W,                      C<sub>i</sub> = 0 &amp; L<sub>i</sub> = 0                      Each Sensor: U<sub>i</sub> = 16V, I<sub>i</sub> = 52mA,                      P<sub>i</sub> = 0.169W, C<sub>i</sub> = 70nF &amp; L<sub>i</sub> = 150μH</p>
KSR-LP-50-T6-IEC	<p>⊕ II 2GD                      Ex ia IIC T4 Gb (-50°C ≤ T<sub>a</sub> ≤ +70°C)                      Ex ia IIC T5 Gb (-50°C ≤ T<sub>a</sub> ≤ +55°C)                      Ex ia IIC T6 Gb (-50°C ≤ T<sub>a</sub> ≤ +40°C)                      Ex tb IIIC T135°C Db (-50°C ≤ T<sub>a</sub> ≤ +70°C)                      Ex tb IIIC T100°C Db (-50°C ≤ T<sub>a</sub> ≤ +55°C)                      Ex tb IIIC T85°C Db (-50°C ≤ T<sub>a</sub> ≤ +40°C)</p>	<p>Potentiometer: U<sub>i</sub> = 28V, P<sub>i</sub> = 0.19W,                      C<sub>i</sub> = 0 &amp; L<sub>i</sub> = 0                      Each Sensor: U<sub>i</sub> = 16V, I<sub>i</sub> = 52mA,                      P<sub>i</sub> = 0.169W, C<sub>i</sub> = 70nF &amp; L<sub>i</sub> = 150μH</p>
KSR-T-T4-IEC	<p>⊕ II 2GD                      Ex ia IIC T4 Gb (-25°C ≤ T<sub>a</sub> ≤ +70°C)                      Ex tb IIIC T135°C Db (-25°C ≤ T<sub>a</sub> ≤ +70°C)</p>	<p>Potentiometer: U<sub>i</sub> = 28V, P<sub>i</sub> = 0.84W,                      C<sub>i</sub> = 0 &amp; L<sub>i</sub> = 0                      Each Sensor: U<sub>i</sub> = 20V, I<sub>i</sub> = 60mA,                      P<sub>i</sub> = 0.08W, C<sub>i</sub> = 250nF &amp; L<sub>i</sub> = 350μH</p>
KSR-T-T6-IEC	<p>⊕ II 2GD                      Ex ia IIC T4 Gb (-25°C ≤ T<sub>a</sub> ≤ +70°C)                      Ex ia IIC T5 Gb (-25°C ≤ T<sub>a</sub> ≤ +55°C)                      Ex ia IIC T6 Gb (-25°C ≤ T<sub>a</sub> ≤ +40°C)                      Ex tb IIIC T135°C Db (-25°C ≤ T<sub>a</sub> ≤ +70°C)                      Ex tb IIIC T100°C Db (-25°C ≤ T<sub>a</sub> ≤ +55°C)                      Ex tb IIIC T85°C Db (-25°C ≤ T<sub>a</sub> ≤ +40°C)</p>	<p>Potentiometer: U<sub>i</sub> = 28V, P<sub>i</sub> = 0.19W,                      C<sub>i</sub> = 0 &amp; L<sub>i</sub> = 0                      Each Sensor: U<sub>i</sub> = 20V, I<sub>i</sub> = 60mA,                      P<sub>i</sub> = 0.08W, C<sub>i</sub> = 250nF &amp; L<sub>i</sub> = 350μH</p>
KSR-F-T4-IEC	<p>⊕ II 2GD                      Ex ia IIC T4 Gb (-20°C ≤ T<sub>a</sub> ≤ +70°C)                      Ex tb IIIC T135°C Db (-20°C ≤ T<sub>a</sub> ≤ +70°C)</p>	<p>Potentiometer: U<sub>i</sub> = 28V, P<sub>i</sub> = 0.84W,                      C<sub>i</sub> = 0 &amp; L<sub>i</sub> = 0                      Each Sensor: U<sub>i</sub> = 15V, I<sub>i</sub> = 50mA,                      P<sub>i</sub> = 0.12W, C<sub>i</sub> = 145nF &amp; L<sub>i</sub> = 340μH</p>
KSR-F-T6-IEC	<p>⊕ II 2GD                      Ex ia IIC T4 Gb (-20°C ≤ T<sub>a</sub> ≤ +70°C)                      Ex ia IIC T5 Gb (-20°C ≤ T<sub>a</sub> ≤ +55°C)                      Ex ia IIC T6 Gb (-20°C ≤ T<sub>a</sub> ≤ +40°C)                      Ex tb IIIC T135°C Db (-20°C ≤ T<sub>a</sub> ≤ +70°C)                      Ex tb IIIC T100°C Db (-20°C ≤ T<sub>a</sub> ≤ +55°C)                      Ex tb IIIC T85°C Db (-20°C ≤ T<sub>a</sub> ≤ +40°C)</p>	<p>Potentiometer: U<sub>i</sub> = 28V, P<sub>i</sub> = 0.19W,                      C<sub>i</sub> = 0 &amp; L<sub>i</sub> = 0                      Each Sensor: U<sub>i</sub> = 15V, I<sub>i</sub> = 50mA,                      P<sub>i</sub> = 0.12W, C<sub>i</sub> = 145nF &amp; L<sub>i</sub> = 340μH</p>
KSR-LF-T4-IEC	<p>⊕ II 2GD                      Ex ia IIC T4 Gb (-40°C ≤ T<sub>a</sub> ≤ +70°C)                      Ex tb IIIC T135°C Db (-40°C ≤ T<sub>a</sub> ≤ +70°C)</p>	<p>Potentiometer: U<sub>i</sub> = 28V, P<sub>i</sub> = 0.84W,                      C<sub>i</sub> = 0 &amp; L<sub>i</sub> = 0                      Each Sensor: U<sub>i</sub> = 15V, I<sub>i</sub> = 50mA,                      P<sub>i</sub> = 0.12W, C<sub>i</sub> = 150nF &amp; L<sub>i</sub> = 150μH</p>

Model Number	Certification Code(s)	Input Parameters
KSR-LF-T6-IEC	$\text{Ex}$ II 2GD Ex ia IIC T4 Gb ( $-40^{\circ}\text{C} \leq T_a \leq +70^{\circ}\text{C}$ ) Ex ia IIC T6 Gb ( $-40^{\circ}\text{C} \leq T_a \leq +40^{\circ}\text{C}$ ) Ex tb IIIC T135°C Db ( $-40^{\circ}\text{C} \leq T_a \leq +70^{\circ}\text{C}$ ) Ex tb IIIC T85°C Db ( $-40^{\circ}\text{C} \leq T_a \leq +40^{\circ}\text{C}$ )	Potentiometer: $U_i = 28\text{V}$ , $P_i = 0.19\text{W}$ , $C_i = 0$ & $L_i = 0$ Each Sensor: $U_i = 15\text{V}$ , $I_i = 50\text{mA}$ , $P_i = 0.12\text{W}$ , $C_i = 150\text{nF}$ & $L_i = 150\mu\text{H}$
KST-ET-IEC	$\text{Ex}$ II 2GD Ex ia IIC T4 Gb ( $-40^{\circ}\text{C} \leq T_a \leq +85^{\circ}\text{C}$ ) Ex ia IIC T5 Gb ( $-40^{\circ}\text{C} \leq T_a \leq +70^{\circ}\text{C}$ ) Ex ia IIC T6 Gb ( $-40^{\circ}\text{C} \leq T_a \leq +55^{\circ}\text{C}$ ) Ex tb IIIC T135°C Db ( $-40^{\circ}\text{C} \leq T_a \leq +85^{\circ}\text{C}$ ) Ex tb IIIC T100°C Db ( $-40^{\circ}\text{C} \leq T_a \leq +70^{\circ}\text{C}$ ) Ex tb IIIC T85°C Db ( $-40^{\circ}\text{C} \leq T_a \leq +55^{\circ}\text{C}$ )	Transmitter: $U_i = 24\text{V}$ , $I_i = 100\text{mA}$ , $P_i = 0.75\text{W}$ , $C_i = 5\text{nF}$ & $L_i = 0$
KST-AT-IEC	$\text{Ex}$ II 2GD Ex ia IIC T4 Gb ( $-50^{\circ}\text{C} \leq T_a \leq +85^{\circ}\text{C}$ ) Ex ia IIC T5 Gb ( $-50^{\circ}\text{C} \leq T_a \leq +70^{\circ}\text{C}$ ) Ex ia IIC T6 Gb ( $-50^{\circ}\text{C} \leq T_a \leq +56^{\circ}\text{C}$ ) Ex tb IIIC T135°C Db ( $-50^{\circ}\text{C} \leq T_a \leq +85^{\circ}\text{C}$ ) Ex tb IIIC T100°C Db ( $-50^{\circ}\text{C} \leq T_a \leq +70^{\circ}\text{C}$ ) Ex tb IIIC T85°C Db ( $-50^{\circ}\text{C} \leq T_a \leq +56^{\circ}\text{C}$ )	Transmitter: $U_i = 30\text{V}$ , $I_i = 130\text{mA}$ , $P_i = 0.8\text{W}$ , $C_i = 5\text{nF}$ & $L_i = 0.5\text{mH}$
KST-PT-IEC	$\text{Ex}$ II 2GD Ex ia IIC T4 Gb ( $-40^{\circ}\text{C} \leq T_a \leq +85^{\circ}\text{C}$ ) Ex ia IIC T6 Gb ( $-40^{\circ}\text{C} \leq T_a \leq +45^{\circ}\text{C}$ ) Ex tb IIIC T135°C Db ( $-40^{\circ}\text{C} \leq T_a \leq +85^{\circ}\text{C}$ ) Ex tb IIIC T85°C Db ( $-40^{\circ}\text{C} \leq T_a \leq +45^{\circ}\text{C}$ )	Transmitter: $U_i = 30\text{V}$ , $I_i = 120\text{mA}$ , $P_i = 0.84\text{W}$ , $C_i = 1\text{nF}$ & $L_i = 10\mu\text{H}$
KST-RT-IEC	$\text{Ex}$ II 2GD Ex ia IIC T5 Gb ( $-60^{\circ}\text{C} \leq T_a \leq +70^{\circ}\text{C}$ ) Ex ia IIC T6 Gb ( $-60^{\circ}\text{C} \leq T_a \leq +60^{\circ}\text{C}$ ) Ex tb IIIC T100°C Db ( $-60^{\circ}\text{C} \leq T_a \leq +70^{\circ}\text{C}$ ) Ex tb IIIC T85°C Db ( $-60^{\circ}\text{C} \leq T_a \leq +60^{\circ}\text{C}$ )	Transmitter: $U_i = 30\text{V}$ , $I_i = 130\text{mA}$ , $P_i = 1.0\text{W}$ , $C_i = 3.6\text{nF}$ & $L_i = 0$
KST-PF-IEC	$\text{Ex}$ II 2GD Ex ia IIC T4 Gb ( $-40^{\circ}\text{C} \leq T_a \leq +85^{\circ}\text{C}$ ) Ex ia IIC T6 Gb ( $-40^{\circ}\text{C} \leq T_a \leq +60^{\circ}\text{C}$ ) Ex tb IIIC T135°C Db ( $-40^{\circ}\text{C} \leq T_a \leq +85^{\circ}\text{C}$ ) Ex tb IIIC T85°C Db ( $-40^{\circ}\text{C} \leq T_a \leq +60^{\circ}\text{C}$ )	Transmitter: $U_i = 30\text{V}$ , $I_i = 120\text{mA}$ , $P_i = 0.84\text{W}$ , $C_i = 2\text{nF}$ & $L_i = 1\mu\text{H}$
KST-PL-IEC	$\text{Ex}$ II 2GD Ex ib IIC T4 Gb ( $-40^{\circ}\text{C} \leq T_a \leq +85^{\circ}\text{C}$ ) Ex ib IIC T6 Gb ( $-40^{\circ}\text{C} \leq T_a \leq +60^{\circ}\text{C}$ ) Ex tb IIIC T135°C Db ( $-40^{\circ}\text{C} \leq T_a \leq +85^{\circ}\text{C}$ ) Ex tb IIIC T85°C Db ( $-40^{\circ}\text{C} \leq T_a \leq +60^{\circ}\text{C}$ )	Transmitter: $U_i = 17.5\text{V}$ , $I_i = 380\text{mA}$ , $P_i = 5.32\text{W}$ , $C_i = 2\text{nF}$ & $L_i = 1\mu\text{H}$
KST-ET-LM-IEC	$\text{Ex}$ II 2GD Ex ia IIC T4 Gb ( $-40^{\circ}\text{C} \leq T_a \leq +85^{\circ}\text{C}$ ) Ex ia IIC T5 Gb ( $-40^{\circ}\text{C} \leq T_a \leq +70^{\circ}\text{C}$ ) Ex ia IIC T6 Gb ( $-40^{\circ}\text{C} \leq T_a \leq +55^{\circ}\text{C}$ ) Ex tb IIIC T135°C Db ( $-40^{\circ}\text{C} \leq T_a \leq +85^{\circ}\text{C}$ ) Ex tb IIIC T100°C Db ( $-40^{\circ}\text{C} \leq T_a \leq +70^{\circ}\text{C}$ ) Ex tb IIIC T85°C Db ( $-40^{\circ}\text{C} \leq T_a \leq +55^{\circ}\text{C}$ )	Transmitter: $U_i = 24\text{V}$ , $I_i = 100\text{mA}$ , $P_i = 0.75\text{W}$ , $C_i = 5\text{nF}$ & $L_i = 0$ Volt-Free Contacts: $U_i = 28\text{V}$ , $I_i = 120\text{mA}$ , $P_i = 1.3\text{W}$ , $C_i = 0$ & $L_i = 0$
KST-AT-LM-IEC	$\text{Ex}$ II 2GD Ex ia IIC T4 Gb ( $-50^{\circ}\text{C} \leq T_a \leq +85^{\circ}\text{C}$ ) Ex ia IIC T5 Gb ( $-50^{\circ}\text{C} \leq T_a \leq +70^{\circ}\text{C}$ ) Ex ia IIC T6 Gb ( $-50^{\circ}\text{C} \leq T_a \leq +56^{\circ}\text{C}$ ) Ex tb IIIC T135°C Db ( $-50^{\circ}\text{C} \leq T_a \leq +85^{\circ}\text{C}$ ) Ex tb IIIC T100°C Db ( $-50^{\circ}\text{C} \leq T_a \leq +70^{\circ}\text{C}$ ) Ex tb IIIC T85°C Db ( $-50^{\circ}\text{C} \leq T_a \leq +56^{\circ}\text{C}$ )	Transmitter: $U_i = 30\text{V}$ , $I_i = 130\text{mA}$ , $P_i = 0.8\text{W}$ , $C_i = 5\text{nF}$ & $L_i = 0.5\text{mH}$ Volt-Free Contacts: $U_i = 28\text{V}$ , $I_i = 120\text{mA}$ , $P_i = 1.3\text{W}$ , $C_i = 0$ & $L_i = 0$

Model Number	Certification Code(s)	Input Parameters
KST-PT-LM-IEC	$\text{Ex}$ II 2GD Ex ia IIC T4 Gb ( $-40^{\circ}\text{C} \leq T_a \leq +85^{\circ}\text{C}$ ) Ex ia IIC T6 Gb ( $-40^{\circ}\text{C} \leq T_a \leq +45^{\circ}\text{C}$ ) Ex tb IIIC T135°C Db ( $-40^{\circ}\text{C} \leq T_a \leq +85^{\circ}\text{C}$ ) Ex tb IIIC T85°C Db ( $-40^{\circ}\text{C} \leq T_a \leq +45^{\circ}\text{C}$ )	Transmitter: $U_i = 30\text{V}$ , $I_i = 120\text{mA}$ , $P_i = 0.84\text{W}$ , $C_i = 1\text{nF}$ & $L_i = 10\mu\text{H}$ Volt-Free Contacts: $U_i = 28\text{V}$ , $I_i = 120\text{mA}$ , $P_i = 1.3\text{W}$ , $C_i = 0$ & $L_i = 0$
KST-RT-LM-IEC	$\text{Ex}$ II 2GD Ex ia IIC T5 Gb ( $-60^{\circ}\text{C} \leq T_a \leq +70^{\circ}\text{C}$ ) Ex ia IIC T6 Gb ( $-60^{\circ}\text{C} \leq T_a \leq +60^{\circ}\text{C}$ ) Ex tb IIIC T100°C Db ( $-60^{\circ}\text{C} \leq T_a \leq +70^{\circ}\text{C}$ ) Ex tb IIIC T85°C Db ( $-60^{\circ}\text{C} \leq T_a \leq +60^{\circ}\text{C}$ )	Transmitter: $U_i = 30\text{V}$ , $I_i = 130\text{mA}$ , $P_i = 1.0\text{W}$ , $C_i = 3.6\text{nF}$ & $L_i = 0$ Volt-Free Contacts: $U_i = 28\text{V}$ , $I_i = 120\text{mA}$ , $P_i = 1.3\text{W}$ , $C_i = 0$ & $L_i = 0$
KST-PF-LM-IEC	$\text{Ex}$ II 2GD Ex ia IIC T4 Gb ( $-40^{\circ}\text{C} \leq T_a \leq +85^{\circ}\text{C}$ ) Ex ia IIC T6 Gb ( $-40^{\circ}\text{C} \leq T_a \leq +60^{\circ}\text{C}$ ) Ex tb IIIC T135°C Db ( $-40^{\circ}\text{C} \leq T_a \leq +85^{\circ}\text{C}$ ) Ex tb IIIC T85°C Db ( $-40^{\circ}\text{C} \leq T_a \leq +60^{\circ}\text{C}$ )	Transmitter: $U_i = 30\text{V}$ , $I_i = 120\text{mA}$ , $P_i = 0.84\text{W}$ , $C_i = 2\text{nF}$ & $L_i = 1\mu\text{H}$ Volt-Free Contacts: $U_i = 28\text{V}$ , $I_i = 120\text{mA}$ , $P_i = 1.3\text{W}$ , $C_i = 0$ & $L_i = 0$
KST-PL-LM-IEC	$\text{Ex}$ II 2GD Ex ib IIC T4 Gb ( $-40^{\circ}\text{C} \leq T_a \leq +85^{\circ}\text{C}$ ) Ex ib IIC T6 Gb ( $-40^{\circ}\text{C} \leq T_a \leq +60^{\circ}\text{C}$ ) Ex tb IIIC T135°C Db ( $-40^{\circ}\text{C} \leq T_a \leq +85^{\circ}\text{C}$ ) Ex tb IIIC T85°C Db ( $-40^{\circ}\text{C} \leq T_a \leq +60^{\circ}\text{C}$ )	Transmitter: $U_i = 17.5\text{V}$ , $I_i = 380\text{mA}$ , $P_i = 5.32\text{W}$ , $C_i = 2\text{nF}$ & $L_i = 1\mu\text{H}$ Volt-Free Contacts: $U_i = 28\text{V}$ , $I_i = 120\text{mA}$ , $P_i = 1.3\text{W}$ , $C_i = 0$ & $L_i = 0$
KST-ET-LMR-IEC	$\text{Ex}$ II 2GD Ex ia IIC T4 Gb ( $-40^{\circ}\text{C} \leq T_a \leq +60^{\circ}\text{C}$ ) Ex tb IIIC T135°C Db ( $-40^{\circ}\text{C} \leq T_a \leq +60^{\circ}\text{C}$ )	Transmitter: $U_i = 24\text{V}$ , $I_i = 100\text{mA}$ , $P_i = 0.75\text{W}$ , $C_i = 5\text{nF}$ & $L_i = 0$ Volt-Free Contacts & Resistors: $U_i = 28\text{V}$ , $I_i = 120\text{mA}$ , $P_i = 1.2\text{W}$ , $C_i = 0$ & $L_i = 0$
KST-AT-LMR-IEC	$\text{Ex}$ II 2GD Ex ia IIC T4 Gb ( $-50^{\circ}\text{C} \leq T_a \leq +60^{\circ}\text{C}$ ) Ex tb IIIC T135°C Db ( $-50^{\circ}\text{C} \leq T_a \leq +60^{\circ}\text{C}$ )	Transmitter: $U_i = 30\text{V}$ , $I_i = 130\text{mA}$ , $P_i = 0.8\text{W}$ , $C_i = 5\text{nF}$ & $L_i = 0.5\text{mH}$ Volt-Free Contacts & Resistors: $U_i = 28\text{V}$ , $I_i = 120\text{mA}$ , $P_i = 1.2\text{W}$ , $C_i = 0$ & $L_i = 0$
KST-PT-LMR-IEC	$\text{Ex}$ II 2GD Ex ia IIC T4 Gb ( $-40^{\circ}\text{C} \leq T_a \leq +60^{\circ}\text{C}$ ) Ex tb IIIC T135°C Db ( $-40^{\circ}\text{C} \leq T_a \leq +60^{\circ}\text{C}$ )	Transmitter: $U_i = 30\text{V}$ , $I_i = 120\text{mA}$ , $P_i = 0.84\text{W}$ , $C_i = 1\text{nF}$ & $L_i = 10\mu\text{H}$ Volt-Free Contacts & Resistors: $U_i = 28\text{V}$ , $I_i = 120\text{mA}$ , $P_i = 1.2\text{W}$ , $C_i = 0$ & $L_i = 0$
KST-RT-LMR-IEC	$\text{Ex}$ II 2GD Ex ia IIC T4 Gb ( $-60^{\circ}\text{C} \leq T_a \leq +60^{\circ}\text{C}$ ) Ex tb IIIC T135°C Db ( $-60^{\circ}\text{C} \leq T_a \leq +60^{\circ}\text{C}$ )	Transmitter: $U_i = 30\text{V}$ , $I_i = 130\text{mA}$ , $P_i = 1.0\text{W}$ , $C_i = 3.6\text{nF}$ & $L_i = 0$ Volt-Free Contacts & Resistors: $U_i = 28\text{V}$ , $I_i = 120\text{mA}$ , $P_i = 1.2\text{W}$ , $C_i = 0$ & $L_i = 0$
KST-PF-LMR-IEC	$\text{Ex}$ II 2GD Ex ia IIC T4 Gb ( $-40^{\circ}\text{C} \leq T_a \leq +60^{\circ}\text{C}$ ) Ex tb IIIC T135°C Db ( $-40^{\circ}\text{C} \leq T_a \leq +60^{\circ}\text{C}$ )	Transmitter: $U_i = 30\text{V}$ , $I_i = 120\text{mA}$ , $P_i = 0.84\text{W}$ , $C_i = 2\text{nF}$ & $L_i = 1\mu\text{H}$ Volt-Free Contacts & Resistors: $U_i = 28\text{V}$ , $I_i = 120\text{mA}$ , $P_i = 1.2\text{W}$ , $C_i = 0$ & $L_i = 0$
KST-PL-LMR-IEC	$\text{Ex}$ II 2GD Ex ib IIC T4 Gb ( $-40^{\circ}\text{C} \leq T_a \leq +60^{\circ}\text{C}$ ) Ex tb IIIC T135°C Db ( $-40^{\circ}\text{C} \leq T_a \leq +60^{\circ}\text{C}$ )	Transmitter: $U_i = 17.5\text{V}$ , $I_i = 380\text{mA}$ , $P_i = 5.32\text{W}$ , $C_i = 2\text{nF}$ & $L_i = 1\mu\text{H}$ Volt-Free Contacts & Resistors: $U_i = 28\text{V}$ , $I_i = 120\text{mA}$ , $P_i = 1.2\text{W}$ , $C_i = 0$ & $L_i = 0$
KST-ET-P-IEC	$\text{Ex}$ II 2GD Ex ia IIC T4 Gb ( $-25^{\circ}\text{C} \leq T_a \leq +67^{\circ}\text{C}$ ) Ex ia IIC T5 Gb ( $-25^{\circ}\text{C} \leq T_a \leq +57^{\circ}\text{C}$ ) Ex ia IIC T6 Gb ( $-25^{\circ}\text{C} \leq T_a \leq +42^{\circ}\text{C}$ ) Ex tb IIIC T135°C Db ( $-25^{\circ}\text{C} \leq T_a \leq +67^{\circ}\text{C}$ ) Ex tb IIIC T100°C Db ( $-25^{\circ}\text{C} \leq T_a \leq +57^{\circ}\text{C}$ ) Ex tb IIIC T85°C Db ( $-25^{\circ}\text{C} \leq T_a \leq +42^{\circ}\text{C}$ )	Transmitter: $U_i = 24\text{V}$ , $I_i = 100\text{mA}$ , $P_i = 0.75\text{W}$ , $C_i = 5\text{nF}$ & $L_i = 0$ Each Sensor: $U_i = 16\text{V}$ , $I_i = 52\text{mA}$ , $P_i = 0.169\text{W}$ , $C_i = 100\text{nF}$ & $L_i = 550\mu\text{H}$

Model Number	Certification Code(s)	Input Parameters
KST-AT-P-IEC	<p>⊕ II 2GD Ex ia IIC T4 Gb (-25°C ≤ T<sub>a</sub> ≤ +67°C) Ex ia IIC T5 Gb (-25°C ≤ T<sub>a</sub> ≤ +57°C) Ex ia IIC T6 Gb (-25°C ≤ T<sub>a</sub> ≤ +42°C) Ex tb IIIC T135°C Db (-25°C ≤ T<sub>a</sub> ≤ +67°C) Ex tb IIIC T100°C Db (-25°C ≤ T<sub>a</sub> ≤ +57°C) Ex tb IIIC T85°C Db (-25°C ≤ T<sub>a</sub> ≤ +42°C)</p>	<p>Transmitter: U<sub>i</sub> = 30V, I<sub>i</sub> = 130mA, P<sub>i</sub> = 0.8W, C<sub>i</sub> = 5nF &amp; L<sub>i</sub> = 0.5mH Each Sensor: U<sub>i</sub> = 16V, I<sub>i</sub> = 52mA, P<sub>i</sub> = 0.169W, C<sub>i</sub> = 100nF &amp; L<sub>i</sub> = 550μH</p>
KST-PT-P-IEC	<p>⊕ II 2GD Ex ia IIC T4 Gb (-25°C ≤ T<sub>a</sub> ≤ +67°C) Ex ia IIC T6 Gb (-25°C ≤ T<sub>a</sub> ≤ +42°C) Ex tb IIIC T135°C Db (-25°C ≤ T<sub>a</sub> ≤ +67°C) Ex tb IIIC T85°C Db (-25°C ≤ T<sub>a</sub> ≤ +42°C)</p>	<p>Transmitter: U<sub>i</sub> = 30V, I<sub>i</sub> = 120mA, P<sub>i</sub> = 0.84W, C<sub>i</sub> = 1nF &amp; L<sub>i</sub> = 10μH Each Sensor: U<sub>i</sub> = 16V, I<sub>i</sub> = 52mA, P<sub>i</sub> = 0.169W, C<sub>i</sub> = 100nF &amp; L<sub>i</sub> = 550μH</p>
KST-RT-P-IEC	<p>⊕ II 2GD Ex ia IIC T5 Gb (-25°C ≤ T<sub>a</sub> ≤ +57°C) Ex ia IIC T6 Gb (-25°C ≤ T<sub>a</sub> ≤ +42°C) Ex tb IIIC T135°C Db (-25°C ≤ T<sub>a</sub> ≤ +57°C) Ex tb IIIC T85°C Db (-25°C ≤ T<sub>a</sub> ≤ +42°C)</p>	<p>Transmitter: U<sub>i</sub> = 30V, I<sub>i</sub> = 130mA, P<sub>i</sub> = 1.0W, C<sub>i</sub> = 3.6nF &amp; L<sub>i</sub> = 0 Each Sensor: U<sub>i</sub> = 16V, I<sub>i</sub> = 52mA, P<sub>i</sub> = 0.169W, C<sub>i</sub> = 100nF &amp; L<sub>i</sub> = 550μH</p>
KST-PF-P-IEC	<p>⊕ II 2GD Ex ia IIC T4 Gb (-25°C ≤ T<sub>a</sub> ≤ +67°C) Ex ia IIC T6 Gb (-25°C ≤ T<sub>a</sub> ≤ +42°C) Ex tb IIIC T135°C Db (-25°C ≤ T<sub>a</sub> ≤ +67°C) Ex tb IIIC T85°C Db (-25°C ≤ T<sub>a</sub> ≤ +42°C)</p>	<p>Transmitter: U<sub>i</sub> = 30V, I<sub>i</sub> = 120mA, P<sub>i</sub> = 0.84W, C<sub>i</sub> = 2nF &amp; L<sub>i</sub> = 1μH Each Sensor: U<sub>i</sub> = 16V, I<sub>i</sub> = 52mA, P<sub>i</sub> = 0.169W, C<sub>i</sub> = 100nF &amp; L<sub>i</sub> = 550μH</p>
KST-PL-P-IEC	<p>⊕ II 2GD Ex ib IIC T4 Gb (-25°C ≤ T<sub>a</sub> ≤ +67°C) Ex ib IIC T6 Gb (-25°C ≤ T<sub>a</sub> ≤ +42°C) Ex tb IIIC T135°C Db (-25°C ≤ T<sub>a</sub> ≤ +67°C) Ex tb IIIC T85°C Db (-25°C ≤ T<sub>a</sub> ≤ +42°C)</p>	<p>Transmitter: U<sub>i</sub> = 17.5V, I<sub>i</sub> = 380mA, P<sub>i</sub> = 5.32W, C<sub>i</sub> = 2nF &amp; L<sub>i</sub> = 1μH Each Sensor: U<sub>i</sub> = 16V, I<sub>i</sub> = 52mA, P<sub>i</sub> = 0.169W, C<sub>i</sub> = 100nF &amp; L<sub>i</sub> = 550μH</p>
KST-ET-PH-IEC	<p>⊕ II 2GD Ex ia IIC T4 Gb (-25°C ≤ T<sub>a</sub> ≤ +85°C) Ex ia IIC T5 Gb (-25°C ≤ T<sub>a</sub> ≤ +70°C) Ex ia IIC T6 Gb (-25°C ≤ T<sub>a</sub> ≤ +55°C) Ex tb IIIC T135°C Db (-25°C ≤ T<sub>a</sub> ≤ +85°C) Ex tb IIIC T100°C Db (-25°C ≤ T<sub>a</sub> ≤ +70°C) Ex tb IIIC T85°C Db (-25°C ≤ T<sub>a</sub> ≤ +55°C)</p>	<p>Transmitter: U<sub>i</sub> = 24V, I<sub>i</sub> = 100mA, P<sub>i</sub> = 0.75W, C<sub>i</sub> = 5nF &amp; L<sub>i</sub> = 0 Each Sensor: U<sub>i</sub> = 16V, I<sub>i</sub> = 25mA, P<sub>i</sub> = 0.034W, C<sub>i</sub> = 100nF &amp; L<sub>i</sub> = 550μH</p>
KST-AT-PH-IEC	<p>⊕ II 2GD Ex ia IIC T4 Gb (-25°C ≤ T<sub>a</sub> ≤ +85°C) Ex ia IIC T5 Gb (-25°C ≤ T<sub>a</sub> ≤ +70°C) Ex ia IIC T6 Gb (-25°C ≤ T<sub>a</sub> ≤ +56°C) Ex tb IIIC T135°C Db (-25°C ≤ T<sub>a</sub> ≤ +85°C) Ex tb IIIC T100°C Db (-25°C ≤ T<sub>a</sub> ≤ +70°C) Ex tb IIIC T85°C Db (-25°C ≤ T<sub>a</sub> ≤ +56°C)</p>	<p>Transmitter: U<sub>i</sub> = 30V, I<sub>i</sub> = 130mA, P<sub>i</sub> = 0.8W, C<sub>i</sub> = 5nF &amp; L<sub>i</sub> = 0.5mH Each Sensor: U<sub>i</sub> = 16V, I<sub>i</sub> = 25mA, P<sub>i</sub> = 0.034W, C<sub>i</sub> = 100nF &amp; L<sub>i</sub> = 550μH</p>
KST-PT-PH-IEC	<p>⊕ II 2GD Ex ia IIC T4 Gb (-25°C ≤ T<sub>a</sub> ≤ +85°C) Ex ia IIC T6 Gb (-25°C ≤ T<sub>a</sub> ≤ +45°C) Ex tb IIIC T135°C Db (-25°C ≤ T<sub>a</sub> ≤ +85°C) Ex tb IIIC T85°C Db (-25°C ≤ T<sub>a</sub> ≤ +45°C)</p>	<p>Transmitter: U<sub>i</sub> = 30V, I<sub>i</sub> = 120mA, P<sub>i</sub> = 0.84W, C<sub>i</sub> = 1nF &amp; L<sub>i</sub> = 10μH Each Sensor: U<sub>i</sub> = 16V, I<sub>i</sub> = 25mA, P<sub>i</sub> = 0.034W, C<sub>i</sub> = 100nF &amp; L<sub>i</sub> = 550μH</p>
KST-PF-PH-IEC	<p>⊕ II 2GD Ex ia IIC T4 Gb (-25°C ≤ T<sub>a</sub> ≤ +85°C) Ex ia IIC T6 Gb (-25°C ≤ T<sub>a</sub> ≤ +45°C) Ex tb IIIC T135°C Db (-25°C ≤ T<sub>a</sub> ≤ +85°C) Ex tb IIIC T85°C Db (-25°C ≤ T<sub>a</sub> ≤ +45°C)</p>	<p>Transmitter: U<sub>i</sub> = 30V, I<sub>i</sub> = 120mA, P<sub>i</sub> = 0.84W, C<sub>i</sub> = 1nF &amp; L<sub>i</sub> = 10μH Each Sensor: U<sub>i</sub> = 16V, I<sub>i</sub> = 25mA, P<sub>i</sub> = 0.034W, C<sub>i</sub> = 100nF &amp; L<sub>i</sub> = 550μH</p>
KST-PL-PH-IEC	<p>⊕ II 2GD Ex ib IIC T4 Gb (-25°C ≤ T<sub>a</sub> ≤ +85°C) Ex ib IIC T6 Gb (-25°C ≤ T<sub>a</sub> ≤ +45°C) Ex tb IIIC T135°C Db (-25°C ≤ T<sub>a</sub> ≤ +85°C) Ex tb IIIC T85°C Db (-25°C ≤ T<sub>a</sub> ≤ +45°C)</p>	<p>Transmitter: U<sub>i</sub> = 17.5V, I<sub>i</sub> = 380mA, P<sub>i</sub> = 5.32W, C<sub>i</sub> = 2nF &amp; L<sub>i</sub> = 1μH Each Sensor: U<sub>i</sub> = 16V, I<sub>i</sub> = 25mA, P<sub>i</sub> = 0.034W, C<sub>i</sub> = 100nF &amp; L<sub>i</sub> = 550μH</p>



Model Number	Certification Code(s)	Input Parameters
KST-ET-LP-IEC	<p>⊕ II 2GD                      Ex ia IIC T4 Gb (-40°C ≤ T<sub>a</sub> ≤ +70°C)                      Ex ia IIC T5 Gb (-40°C ≤ T<sub>a</sub> ≤ +60°C)                      Ex ia IIC T6 Gb (-40°C ≤ T<sub>a</sub> ≤ +45°C)                      Ex tb IIIC T135°C Db (-40°C ≤ T<sub>a</sub> ≤ +70°C)                      Ex tb IIIC T100°C Db (-40°C ≤ T<sub>a</sub> ≤ +60°C)                      Ex tb IIIC T85°C Db (-40°C ≤ T<sub>a</sub> ≤ +45°C)</p>	<p>Transmitter: U<sub>i</sub> = 24V, I<sub>i</sub> = 100mA,                      P<sub>i</sub> = 0.75W, C<sub>i</sub> = 5nF &amp; L<sub>i</sub> = 0                      Each Sensor: U<sub>i</sub> = 16V, I<sub>i</sub> = 52mA,                      P<sub>i</sub> = 0.169W, C<sub>i</sub> = 120nF &amp; L<sub>i</sub> = 200μH</p>
KST-AT-LP-IEC	<p>⊕ II 2GD                      Ex ia IIC T4 Gb (-40°C ≤ T<sub>a</sub> ≤ +70°C)                      Ex ia IIC T5 Gb (-40°C ≤ T<sub>a</sub> ≤ +60°C)                      Ex ia IIC T6 Gb (-40°C ≤ T<sub>a</sub> ≤ +45°C)                      Ex tb IIIC T135°C Db (-40°C ≤ T<sub>a</sub> ≤ +70°C)                      Ex tb IIIC T100°C Db (-40°C ≤ T<sub>a</sub> ≤ +60°C)                      Ex tb IIIC T85°C Db (-40°C ≤ T<sub>a</sub> ≤ +45°C)</p>	<p>Transmitter: U<sub>i</sub> = 30V, I<sub>i</sub> = 130mA,                      P<sub>i</sub> = 0.8W, C<sub>i</sub> = 5nF &amp; L<sub>i</sub> = 0.5mH                      Each Sensor: U<sub>i</sub> = 16V, I<sub>i</sub> = 52mA,                      P<sub>i</sub> = 0.169W, C<sub>i</sub> = 120nF &amp; L<sub>i</sub> = 200μH</p>
KST-PT-LP-IEC	<p>⊕ II 2GD                      Ex ia IIC T4 Gb (-40°C ≤ T<sub>a</sub> ≤ +70°C)                      Ex ia IIC T6 Gb (-40°C ≤ T<sub>a</sub> ≤ +45°C)                      Ex tb IIIC T135°C Db (-40°C ≤ T<sub>a</sub> ≤ +70°C)                      Ex tb IIIC T85°C Db (-40°C ≤ T<sub>a</sub> ≤ +45°C)</p>	<p>Transmitter: U<sub>i</sub> = 30V, I<sub>i</sub> = 120mA,                      P<sub>i</sub> = 0.84W, C<sub>i</sub> = 1nF &amp; L<sub>i</sub> = 10μH                      Each Sensor: U<sub>i</sub> = 16V, I<sub>i</sub> = 52mA,                      P<sub>i</sub> = 0.169W, C<sub>i</sub> = 120nF &amp; L<sub>i</sub> = 200μH</p>
KST-RT-LP-IEC	<p>⊕ II 2GD                      Ex ia IIC T4 Gb (-40°C ≤ T<sub>a</sub> ≤ +70°C)                      Ex ia IIC T5 Gb (-40°C ≤ T<sub>a</sub> ≤ +60°C)                      Ex ia IIC T6 Gb (-40°C ≤ T<sub>a</sub> ≤ +45°C)                      Ex tb IIIC T135°C Db (-40°C ≤ T<sub>a</sub> ≤ +70°C)                      Ex tb IIIC T100°C Db (-40°C ≤ T<sub>a</sub> ≤ +60°C)                      Ex tb IIIC T85°C Db (-40°C ≤ T<sub>a</sub> ≤ +45°C)</p>	<p>Transmitter: U<sub>i</sub> = 30V, I<sub>i</sub> = 130mA,                      P<sub>i</sub> = 1.0W, C<sub>i</sub> = 3.6nF &amp; L<sub>i</sub> = 0                      Each Sensor: U<sub>i</sub> = 16V, I<sub>i</sub> = 52mA,                      P<sub>i</sub> = 0.169W, C<sub>i</sub> = 120nF &amp; L<sub>i</sub> = 200μH</p>
KST-PF-LP-IEC	<p>⊕ II 2GD                      Ex ia IIC T4 Gb (-40°C ≤ T<sub>a</sub> ≤ +70°C)                      Ex ia IIC T6 Gb (-40°C ≤ T<sub>a</sub> ≤ +45°C)                      Ex tb IIIC T135°C Db (-40°C ≤ T<sub>a</sub> ≤ +70°C)                      Ex tb IIIC T85°C Db (-40°C ≤ T<sub>a</sub> ≤ +45°C)</p>	<p>Transmitter: U<sub>i</sub> = 30V, I<sub>i</sub> = 120mA,                      P<sub>i</sub> = 0.84W, C<sub>i</sub> = 2nF &amp; L<sub>i</sub> = 1μH                      Each Sensor: U<sub>i</sub> = 16V, I<sub>i</sub> = 52mA,                      P<sub>i</sub> = 0.169W, C<sub>i</sub> = 120nF &amp; L<sub>i</sub> = 200μH</p>
KST-PL-LP-IEC	<p>⊕ II 2GD                      Ex ib IIC T4 Gb (-40°C ≤ T<sub>a</sub> ≤ +70°C)                      Ex ib IIC T6 Gb (-40°C ≤ T<sub>a</sub> ≤ +45°C)                      Ex tb IIIC T135°C Db (-40°C ≤ T<sub>a</sub> ≤ +70°C)                      Ex tb IIIC T85°C Db (-40°C ≤ T<sub>a</sub> ≤ +45°C)</p>	<p>Transmitter: U<sub>i</sub> = 17.5V, I<sub>i</sub> = 380mA,                      P<sub>i</sub> = 5.32W, C<sub>i</sub> = 2nF &amp; L<sub>i</sub> = 1μH                      Each Sensor: U<sub>i</sub> = 16V, I<sub>i</sub> = 52mA,                      P<sub>i</sub> = 0.169W, C<sub>i</sub> = 120nF &amp; L<sub>i</sub> = 200μH</p>
KST-ET-LPH-IEC	<p>⊕ II 2GD                      Ex ia IIC T4 Gb (-40°C ≤ T<sub>a</sub> ≤ +85°C)                      Ex ia IIC T5 Gb (-40°C ≤ T<sub>a</sub> ≤ +70°C)                      Ex ia IIC T6 Gb (-40°C ≤ T<sub>a</sub> ≤ +55°C)                      Ex tb IIIC T135°C Db (-40°C ≤ T<sub>a</sub> ≤ +85°C)                      Ex tb IIIC T100°C Db (-40°C ≤ T<sub>a</sub> ≤ +70°C)                      Ex tb IIIC T85°C Db (-40°C ≤ T<sub>a</sub> ≤ +55°C)</p>	<p>Transmitter: U<sub>i</sub> = 24V, I<sub>i</sub> = 100mA,                      P<sub>i</sub> = 0.75W, C<sub>i</sub> = 5nF &amp; L<sub>i</sub> = 0                      Each Sensor: U<sub>i</sub> = 16V, I<sub>i</sub> = 25mA,                      P<sub>i</sub> = 0.034W, C<sub>i</sub> = 120nF &amp; L<sub>i</sub> = 200μH</p>
KST-AT-LPH-IEC	<p>⊕ II 2GD                      Ex ia IIC T4 Gb (-40°C ≤ T<sub>a</sub> ≤ +85°C)                      Ex ia IIC T5 Gb (-40°C ≤ T<sub>a</sub> ≤ +70°C)                      Ex ia IIC T6 Gb (-40°C ≤ T<sub>a</sub> ≤ +56°C)                      Ex tb IIIC T135°C Db (-40°C ≤ T<sub>a</sub> ≤ +85°C)                      Ex tb IIIC T100°C Db (-40°C ≤ T<sub>a</sub> ≤ +70°C)                      Ex tb IIIC T85°C Db (-40°C ≤ T<sub>a</sub> ≤ +56°C)</p>	<p>Transmitter: U<sub>i</sub> = 30V, I<sub>i</sub> = 130mA,                      P<sub>i</sub> = 0.8W, C<sub>i</sub> = 5nF &amp; L<sub>i</sub> = 0.5mH                      Each Sensor: U<sub>i</sub> = 16V, I<sub>i</sub> = 25mA,                      P<sub>i</sub> = 0.034W, C<sub>i</sub> = 120nF &amp; L<sub>i</sub> = 200μH</p>
KST-PT-LPH-IEC	<p>⊕ II 2GD                      Ex ia IIC T4 Gb (-40°C ≤ T<sub>a</sub> ≤ +85°C)                      Ex ia IIC T6 Gb (-40°C ≤ T<sub>a</sub> ≤ +45°C)                      Ex tb IIIC T135°C Db (-40°C ≤ T<sub>a</sub> ≤ +85°C)                      Ex tb IIIC T85°C Db (-40°C ≤ T<sub>a</sub> ≤ +45°C)</p>	<p>Transmitter: U<sub>i</sub> = 30V, I<sub>i</sub> = 120mA,                      P<sub>i</sub> = 0.84W, C<sub>i</sub> = 1nF &amp; L<sub>i</sub> = 10μH                      Each Sensor: U<sub>i</sub> = 16V, I<sub>i</sub> = 25mA,                      P<sub>i</sub> = 0.034W, C<sub>i</sub> = 120nF &amp; L<sub>i</sub> = 200μH</p>

Model Number	Certification Code(s)	Input Parameters
KST-PF-LPH-IEC	<p>⊕ II 2GD Ex ia IIC T4 Gb (-40°C ≤ T<sub>a</sub> ≤ +85°C) Ex ia IIC T6 Gb (-40°C ≤ T<sub>a</sub> ≤ +60°C) Ex tb IIIC T135°C Db (-40°C ≤ T<sub>a</sub> ≤ +85°C) Ex tb IIIC T85°C Db (-40°C ≤ T<sub>a</sub> ≤ +60°C)</p>	<p>Transmitter: U<sub>i</sub> = 30V, I<sub>i</sub> = 120mA, P<sub>i</sub> = 0.84W, C<sub>i</sub> = 2nF &amp; L<sub>i</sub> = 1μH Each Sensor: U<sub>i</sub> = 16V, I<sub>i</sub> = 25mA, P<sub>i</sub> = 0.034W, C<sub>i</sub> = 120nF &amp; L<sub>i</sub> = 200μH</p>
KST-PL-LPH-IEC	<p>⊕ II 2GD Ex ib IIC T4 Gb (-40°C ≤ T<sub>a</sub> ≤ +85°C) Ex ib IIC T6 Gb (-40°C ≤ T<sub>a</sub> ≤ +60°C) Ex tb IIIC T135°C Db (-40°C ≤ T<sub>a</sub> ≤ +85°C) Ex tb IIIC T85°C Db (-40°C ≤ T<sub>a</sub> ≤ +60°C)</p>	<p>Transmitter: U<sub>i</sub> = 17.5V, I<sub>i</sub> = 380mA, P<sub>i</sub> = 5.32W, C<sub>i</sub> = 2nF &amp; L<sub>i</sub> = 1μH Each Sensor: U<sub>i</sub> = 16V, I<sub>i</sub> = 25mA, P<sub>i</sub> = 0.034W, C<sub>i</sub> = 120nF &amp; L<sub>i</sub> = 200μH</p>
KST-AT-LP-50-IEC	<p>⊕ II 2GD Ex ia IIC T4 Gb (-50°C ≤ T<sub>a</sub> ≤ +70°C) Ex ia IIC T5 Gb (-50°C ≤ T<sub>a</sub> ≤ +60°C) Ex ia IIC T6 Gb (-50°C ≤ T<sub>a</sub> ≤ +45°C) Ex tb IIIC T135°C Db (-50°C ≤ T<sub>a</sub> ≤ +70°C) Ex tb IIIC T100°C Db (-50°C ≤ T<sub>a</sub> ≤ +60°C) Ex tb IIIC T85°C Db (-50°C ≤ T<sub>a</sub> ≤ +45°C)</p>	<p>Transmitter: U<sub>i</sub> = 30V, I<sub>i</sub> = 130mA, P<sub>i</sub> = 0.8W, C<sub>i</sub> = 5nF &amp; L<sub>i</sub> = 0.5mH Each Sensor: U<sub>i</sub> = 16V, I<sub>i</sub> = 52mA, P<sub>i</sub> = 0.169W, C<sub>i</sub> = 70nF &amp; L<sub>i</sub> = 150μH</p>
KST-RT-LP-50-IEC	<p>⊕ II 2GD Ex ia IIC T4 Gb (-50°C ≤ T<sub>a</sub> ≤ +70°C) Ex ia IIC T5 Gb (-50°C ≤ T<sub>a</sub> ≤ +60°C) Ex ia IIC T6 Gb (-50°C ≤ T<sub>a</sub> ≤ +45°C) Ex tb IIIC T135°C Db (-50°C ≤ T<sub>a</sub> ≤ +70°C) Ex tb IIIC T100°C Db (-50°C ≤ T<sub>a</sub> ≤ +60°C) Ex tb IIIC T85°C Db (-50°C ≤ T<sub>a</sub> ≤ +45°C)</p>	<p>Transmitter: U<sub>i</sub> = 30V, I<sub>i</sub> = 130mA, P<sub>i</sub> = 1.0W, C<sub>i</sub> = 3.6nF &amp; L<sub>i</sub> = 0 Each Sensor: U<sub>i</sub> = 16V, I<sub>i</sub> = 52mA, P<sub>i</sub> = 0.169W, C<sub>i</sub> = 70nF &amp; L<sub>i</sub> = 150μH</p>
KST-AT-LPH-50-IEC	<p>⊕ II 2GD Ex ia IIC T4 Gb (-50°C ≤ T<sub>a</sub> ≤ +85°C) Ex ia IIC T5 Gb (-50°C ≤ T<sub>a</sub> ≤ +70°C) Ex ia IIC T6 Gb (-50°C ≤ T<sub>a</sub> ≤ +56°C) Ex tb IIIC T135°C Db (-50°C ≤ T<sub>a</sub> ≤ +85°C) Ex tb IIIC T100°C Db (-50°C ≤ T<sub>a</sub> ≤ +70°C) Ex tb IIIC T85°C Db (-50°C ≤ T<sub>a</sub> ≤ +56°C)</p>	<p>Transmitter: U<sub>i</sub> = 30V, I<sub>i</sub> = 130mA, P<sub>i</sub> = 0.8W, C<sub>i</sub> = 5nF &amp; L<sub>i</sub> = 0.5mH Each Sensor: U<sub>i</sub> = 16V, I<sub>i</sub> = 25mA, P<sub>i</sub> = 0.034W, C<sub>i</sub> = 70nF &amp; L<sub>i</sub> = 150μH</p>
KST-ET-F-IEC	<p>⊕ II 2GD Ex ia IIC T5 Gb (-20°C ≤ T<sub>a</sub> ≤ +70°C) Ex ia IIC T6 Gb (-20°C ≤ T<sub>a</sub> ≤ +55°C) Ex tb IIIC T100°C Db (-20°C ≤ T<sub>a</sub> ≤ +70°C) Ex tb IIIC T85°C Db (-20°C ≤ T<sub>a</sub> ≤ +55°C)</p>	<p>Transmitter: U<sub>i</sub> = 24V, I<sub>i</sub> = 100mA, P<sub>i</sub> = 0.75W, C<sub>i</sub> = 5nF &amp; L<sub>i</sub> = 0 Each Sensor: U<sub>i</sub> = 15V, I<sub>i</sub> = 50mA, P<sub>i</sub> = 0.12W, C<sub>i</sub> = 145nF &amp; L<sub>i</sub> = 340μH</p>
KST-AT-F-IEC	<p>⊕ II 2GD Ex ia IIC T5 Gb (-20°C ≤ T<sub>a</sub> ≤ +70°C) Ex ia IIC T6 Gb (-20°C ≤ T<sub>a</sub> ≤ +56°C) Ex tb IIIC T100°C Db (-20°C ≤ T<sub>a</sub> ≤ +70°C) Ex tb IIIC T85°C Db (-20°C ≤ T<sub>a</sub> ≤ +56°C)</p>	<p>Transmitter: U<sub>i</sub> = 30V, I<sub>i</sub> = 130mA, P<sub>i</sub> = 0.8W, C<sub>i</sub> = 5nF &amp; L<sub>i</sub> = 0.5mH Each Sensor: U<sub>i</sub> = 15V, I<sub>i</sub> = 50mA, P<sub>i</sub> = 0.12W, C<sub>i</sub> = 145nF &amp; L<sub>i</sub> = 340μH</p>
KST-PT-F-IEC	<p>⊕ II 2GD Ex ia IIC T4 Gb (-20°C ≤ T<sub>a</sub> ≤ +70°C) Ex ia IIC T6 Gb (-20°C ≤ T<sub>a</sub> ≤ +45°C) Ex tb IIIC T135°C Db (-20°C ≤ T<sub>a</sub> ≤ +70°C) Ex tb IIIC T85°C Db (-20°C ≤ T<sub>a</sub> ≤ +45°C)</p>	<p>Transmitter: U<sub>i</sub> = 30V, I<sub>i</sub> = 120mA, P<sub>i</sub> = 0.84W, C<sub>i</sub> = 1nF &amp; L<sub>i</sub> = 10μH Each Sensor: U<sub>i</sub> = 15V, I<sub>i</sub> = 50mA, P<sub>i</sub> = 0.12W, C<sub>i</sub> = 145nF &amp; L<sub>i</sub> = 340μH</p>
KST-RT-F-IEC	<p>⊕ II 2GD Ex ia IIC T5 Gb (-20°C ≤ T<sub>a</sub> ≤ +70°C) Ex ia IIC T6 Gb (-20°C ≤ T<sub>a</sub> ≤ +60°C) Ex tb IIIC T100°C Db (-20°C ≤ T<sub>a</sub> ≤ +70°C) Ex tb IIIC T85°C Db (-20°C ≤ T<sub>a</sub> ≤ +60°C)</p>	<p>Transmitter: U<sub>i</sub> = 30V, I<sub>i</sub> = 130mA, P<sub>i</sub> = 1.0W, C<sub>i</sub> = 3.6nF &amp; L<sub>i</sub> = 0 Each Sensor: U<sub>i</sub> = 15V, I<sub>i</sub> = 50mA, P<sub>i</sub> = 0.12W, C<sub>i</sub> = 145nF &amp; L<sub>i</sub> = 340μH</p>
KST-PF-F-IEC	<p>⊕ II 2GD Ex ia IIC T4 Gb (-20°C ≤ T<sub>a</sub> ≤ +70°C) Ex ia IIC T6 Gb (-20°C ≤ T<sub>a</sub> ≤ +60°C) Ex tb IIIC T135°C Db (-20°C ≤ T<sub>a</sub> ≤ +70°C) Ex tb IIIC T85°C Db (-20°C ≤ T<sub>a</sub> ≤ +60°C)</p>	<p>Transmitter: U<sub>i</sub> = 30V, I<sub>i</sub> = 120mA, P<sub>i</sub> = 0.84W, C<sub>i</sub> = 2nF &amp; L<sub>i</sub> = 1μH Each Sensor: U<sub>i</sub> = 15V, I<sub>i</sub> = 50mA, P<sub>i</sub> = 0.12W, C<sub>i</sub> = 145nF &amp; L<sub>i</sub> = 340μH</p>

Model Number	Certification Code(s)	Input Parameters
KST-PL-F-IEC	<p>⊕ II 2GD Ex ib IIC T4 Gb (-20°C ≤ T<sub>a</sub> ≤ +70°C) Ex ib IIC T6 Gb (-20°C ≤ T<sub>a</sub> ≤ +60°C) Ex tb IIIC T135°C Db (-20°C ≤ T<sub>a</sub> ≤ +70°C) Ex tb IIIC T85°C Db (-20°C ≤ T<sub>a</sub> ≤ +60°C)</p>	<p>Transmitter: U<sub>i</sub> = 17.5V, I<sub>i</sub> = 380mA, P<sub>i</sub> = 5.32W, C<sub>i</sub> = 2nF &amp; L<sub>i</sub> = 1μH Each Sensor: U<sub>i</sub> = 15V, I<sub>i</sub> = 50mA, P<sub>i</sub> = 0.12W, C<sub>i</sub> = 145nF &amp; L<sub>i</sub> = 340μH</p>
KST-ET-LF-IEC	<p>⊕ II 2GD Ex ia IIC T4 Gb (-40°C ≤ T<sub>a</sub> ≤ +70°C) Ex ia IIC T6 Gb (-40°C ≤ T<sub>a</sub> ≤ +55°C) Ex tb IIIC T135°C Db (-40°C ≤ T<sub>a</sub> ≤ +70°C) Ex tb IIIC T85°C Db (-40°C ≤ T<sub>a</sub> ≤ +55°C)</p>	<p>Transmitter: U<sub>i</sub> = 24V, I<sub>i</sub> = 100mA, P<sub>i</sub> = 0.75W, C<sub>i</sub> = 5nF &amp; L<sub>i</sub> = 0 Each Sensor: U<sub>i</sub> = 15V, I<sub>i</sub> = 50mA, P<sub>i</sub> = 0.12W, C<sub>i</sub> = 150nF &amp; L<sub>i</sub> = 150μH</p>
KST-AT-LF-IEC	<p>⊕ II 2GD Ex ia IIC T4 Gb (-40°C ≤ T<sub>a</sub> ≤ +70°C) Ex ia IIC T6 Gb (-40°C ≤ T<sub>a</sub> ≤ +56°C) Ex tb IIIC T135°C Db (-40°C ≤ T<sub>a</sub> ≤ +70°C) Ex tb IIIC T85°C Db (-40°C ≤ T<sub>a</sub> ≤ +56°C)</p>	<p>Transmitter: U<sub>i</sub> = 30V, I<sub>i</sub> = 130mA, P<sub>i</sub> = 0.8W, C<sub>i</sub> = 5nF &amp; L<sub>i</sub> = 0.5mH Each Sensor: U<sub>i</sub> = 15V, I<sub>i</sub> = 50mA, P<sub>i</sub> = 0.12W, C<sub>i</sub> = 150nF &amp; L<sub>i</sub> = 150μH</p>
KST-PT-LF-IEC	<p>⊕ II 2GD Ex ia IIC T4 Gb (-40°C ≤ T<sub>a</sub> ≤ +70°C) Ex ia IIC T6 Gb (-40°C ≤ T<sub>a</sub> ≤ +45°C) Ex tb IIIC T135°C Db (-40°C ≤ T<sub>a</sub> ≤ +70°C) Ex tb IIIC T85°C Db (-40°C ≤ T<sub>a</sub> ≤ +45°C)</p>	<p>Transmitter: U<sub>i</sub> = 30V, I<sub>i</sub> = 120mA, P<sub>i</sub> = 0.84W, C<sub>i</sub> = 1nF &amp; L<sub>i</sub> = 10μH Each Sensor: U<sub>i</sub> = 15V, I<sub>i</sub> = 50mA, P<sub>i</sub> = 0.12W, C<sub>i</sub> = 150nF &amp; L<sub>i</sub> = 150μH</p>
KST-RT-LF-IEC	<p>⊕ II 2GD Ex ia IIC T4 Gb (-40°C ≤ T<sub>a</sub> ≤ +70°C) Ex ia IIC T6 Gb (-40°C ≤ T<sub>a</sub> ≤ +60°C) Ex tb IIIC T135°C Db (-40°C ≤ T<sub>a</sub> ≤ +70°C) Ex tb IIIC T85°C Db (-40°C ≤ T<sub>a</sub> ≤ +60°C)</p>	<p>Transmitter: U<sub>i</sub> = 30V, I<sub>i</sub> = 130mA, P<sub>i</sub> = 1.0W, C<sub>i</sub> = 3.6nF &amp; L<sub>i</sub> = 0 Each Sensor: U<sub>i</sub> = 15V, I<sub>i</sub> = 50mA, P<sub>i</sub> = 0.12W, C<sub>i</sub> = 150nF &amp; L<sub>i</sub> = 150μH</p>
KST-PF-LF-IEC	<p>⊕ II 2GD Ex ia IIC T4 Gb (-40°C ≤ T<sub>a</sub> ≤ +70°C) Ex ia IIC T6 Gb (-40°C ≤ T<sub>a</sub> ≤ +60°C) Ex tb IIIC T135°C Db (-40°C ≤ T<sub>a</sub> ≤ +70°C) Ex tb IIIC T85°C Db (-40°C ≤ T<sub>a</sub> ≤ +60°C)</p>	<p>Transmitter: U<sub>i</sub> = 30V, I<sub>i</sub> = 120mA, P<sub>i</sub> = 0.84W, C<sub>i</sub> = 2nF &amp; L<sub>i</sub> = 1μH Each Sensor: U<sub>i</sub> = 15V, I<sub>i</sub> = 50mA, P<sub>i</sub> = 0.12W, C<sub>i</sub> = 150nF &amp; L<sub>i</sub> = 150μH</p>
KST-PL-LF-IEC	<p>⊕ II 2GD Ex ib IIC T4 Gb (-40°C ≤ T<sub>a</sub> ≤ +70°C) Ex ib IIC T6 Gb (-40°C ≤ T<sub>a</sub> ≤ +60°C) Ex tb IIIC T135°C Db (-40°C ≤ T<sub>a</sub> ≤ +70°C) Ex tb IIIC T85°C Db (-40°C ≤ T<sub>a</sub> ≤ +60°C)</p>	<p>Transmitter: U<sub>i</sub> = 17.5V, I<sub>i</sub> = 380mA, P<sub>i</sub> = 5.32W, C<sub>i</sub> = 2nF &amp; L<sub>i</sub> = 1μH Each Sensor: U<sub>i</sub> = 15V, I<sub>i</sub> = 50mA, P<sub>i</sub> = 0.12W, C<sub>i</sub> = 150nF &amp; L<sub>i</sub> = 150μH</p>
KST-ET-T-IEC	<p>⊕ II 2GD Ex ia IIC T5 Gb (-20°C ≤ T<sub>a</sub> ≤ +70°C) Ex ia IIC T6 Gb (-20°C ≤ T<sub>a</sub> ≤ +55°C) Ex tb IIIC T100°C Db (-20°C ≤ T<sub>a</sub> ≤ +70°C) Ex tb IIIC T85°C Db (-20°C ≤ T<sub>a</sub> ≤ +55°C)</p>	<p>Transmitter: U<sub>i</sub> = 24V, I<sub>i</sub> = 100mA, P<sub>i</sub> = 0.75W, C<sub>i</sub> = 5nF &amp; L<sub>i</sub> = 0 Each Sensor: U<sub>i</sub> = 20V, I<sub>i</sub> = 60mA, P<sub>i</sub> = 0.08W, C<sub>i</sub> = 250nF &amp; L<sub>i</sub> = 350μH</p>
KST-AT-T-IEC	<p>⊕ II 2GD Ex ia IIC T5 Gb (-20°C ≤ T<sub>a</sub> ≤ +70°C) Ex ia IIC T6 Gb (-20°C ≤ T<sub>a</sub> ≤ +56°C) Ex tb IIIC T100°C Db (-20°C ≤ T<sub>a</sub> ≤ +70°C) Ex tb IIIC T85°C Db (-20°C ≤ T<sub>a</sub> ≤ +56°C)</p>	<p>Transmitter: U<sub>i</sub> = 30V, I<sub>i</sub> = 130mA, P<sub>i</sub> = 0.8W, C<sub>i</sub> = 5nF &amp; L<sub>i</sub> = 0.5mH Each Sensor: U<sub>i</sub> = 20V, I<sub>i</sub> = 60mA, P<sub>i</sub> = 0.08W, C<sub>i</sub> = 250nF &amp; L<sub>i</sub> = 350μH</p>
KST-PT-T-IEC	<p>⊕ II 2GD Ex ia IIC T4 Gb (-20°C ≤ T<sub>a</sub> ≤ +70°C) Ex ia IIC T6 Gb (-20°C ≤ T<sub>a</sub> ≤ +45°C) Ex tb IIIC T135°C Db (-20°C ≤ T<sub>a</sub> ≤ +70°C) Ex tb IIIC T85°C Db (-20°C ≤ T<sub>a</sub> ≤ +45°C)</p>	<p>Transmitter: U<sub>i</sub> = 30V, I<sub>i</sub> = 120mA, P<sub>i</sub> = 0.84W, C<sub>i</sub> = 1nF &amp; L<sub>i</sub> = 10μH Each Sensor: U<sub>i</sub> = 20V, I<sub>i</sub> = 60mA, P<sub>i</sub> = 0.08W, C<sub>i</sub> = 250nF &amp; L<sub>i</sub> = 350μH</p>
KST-RT-T-IEC	<p>⊕ II 2GD Ex ia IIC T5 Gb (-20°C ≤ T<sub>a</sub> ≤ +70°C) Ex ia IIC T6 Gb (-20°C ≤ T<sub>a</sub> ≤ +60°C) Ex tb IIIC T100°C Db (-20°C ≤ T<sub>a</sub> ≤ +70°C) Ex tb IIIC T85°C Db (-20°C ≤ T<sub>a</sub> ≤ +60°C)</p>	<p>Transmitter: U<sub>i</sub> = 30V, I<sub>i</sub> = 130mA, P<sub>i</sub> = 1.0W, C<sub>i</sub> = 3.6nF &amp; L<sub>i</sub> = 0 Each Sensor: U<sub>i</sub> = 20V, I<sub>i</sub> = 60mA, P<sub>i</sub> = 0.08W, C<sub>i</sub> = 250nF &amp; L<sub>i</sub> = 350μH</p>

Model Number	Certification Code(s)	Input Parameters
KST-PF-T-IEC	$\langle \text{Ex} \rangle$ II 2GD Ex ia IIC T4 Gb (-20°C ≤ T <sub>a</sub> ≤ +70°C) Ex ia IIC T6 Gb (-20°C ≤ T <sub>a</sub> ≤ +60°C) Ex tb IIIC T135°C Db (-20°C ≤ T <sub>a</sub> ≤ +70°C) Ex tb IIIC T85°C Db (-20°C ≤ T <sub>a</sub> ≤ +60°C)	Transmitter: U <sub>i</sub> = 30V, I <sub>i</sub> = 120mA, P <sub>i</sub> = 0.84W, C <sub>i</sub> = 2nF & L <sub>i</sub> = 1μH Each Sensor: U <sub>i</sub> = 20V, I <sub>i</sub> = 60mA, P <sub>i</sub> = 0.08W, C <sub>i</sub> = 250nF & L <sub>i</sub> = 350μH
KST-PL-T-IEC	$\langle \text{Ex} \rangle$ II 2GD Ex ib IIC T4 Gb (-20°C ≤ T <sub>a</sub> ≤ +70°C) Ex ib IIC T6 Gb (-20°C ≤ T <sub>a</sub> ≤ +60°C) Ex tb IIIC T135°C Db (-20°C ≤ T <sub>a</sub> ≤ +70°C) Ex tb IIIC T85°C Db (-20°C ≤ T <sub>a</sub> ≤ +60°C)	Transmitter: U <sub>i</sub> = 17.5V, I <sub>i</sub> = 380mA, P <sub>i</sub> = 5.32W, C <sub>i</sub> = 2nF & L <sub>i</sub> = 1μH Each Sensor: U <sub>i</sub> = 20V, I <sub>i</sub> = 60mA, P <sub>i</sub> = 0.08W, C <sub>i</sub> = 250nF & L <sub>i</sub> = 350μH
KST-ET-LT-IEC	$\langle \text{Ex} \rangle$ II 2GD Ex ia IIC T5 Gb (-40°C ≤ T <sub>a</sub> ≤ +70°C) Ex ia IIC T6 Gb (-40°C ≤ T <sub>a</sub> ≤ +55°C) Ex tb IIIC T100°C Db (-40°C ≤ T <sub>a</sub> ≤ +70°C) Ex tb IIIC T85°C Db (-40°C ≤ T <sub>a</sub> ≤ +55°C)	Transmitter: U <sub>i</sub> = 24V, I <sub>i</sub> = 100mA, P <sub>i</sub> = 0.75W, C <sub>i</sub> = 5nF & L <sub>i</sub> = 0 Each Sensor: U <sub>i</sub> = 20V, I <sub>i</sub> = 20mA, P <sub>i</sub> = 0.2W, C <sub>i</sub> = 150nF & L <sub>i</sub> = 150μH
KST-AT-LT-IEC	$\langle \text{Ex} \rangle$ II 2GD Ex ia IIC T5 Gb (-40°C ≤ T <sub>a</sub> ≤ +70°C) Ex ia IIC T6 Gb (-40°C ≤ T <sub>a</sub> ≤ +56°C) Ex tb IIIC T100°C Db (-40°C ≤ T <sub>a</sub> ≤ +70°C) Ex tb IIIC T85°C Db (-40°C ≤ T <sub>a</sub> ≤ +56°C)	Transmitter: U <sub>i</sub> = 30V, I <sub>i</sub> = 130mA, P <sub>i</sub> = 0.8W, C <sub>i</sub> = 5nF & L <sub>i</sub> = 0.5mH Each Sensor: U <sub>i</sub> = 20V, I <sub>i</sub> = 20mA, P <sub>i</sub> = 0.2W, C <sub>i</sub> = 150nF & L <sub>i</sub> = 150μH
KST-PT-LT-IEC	$\langle \text{Ex} \rangle$ II 2GD Ex ia IIC T4 Gb (-40°C ≤ T <sub>a</sub> ≤ +70°C) Ex ia IIC T6 Gb (-40°C ≤ T <sub>a</sub> ≤ +45°C) Ex tb IIIC T135°C Db (-40°C ≤ T <sub>a</sub> ≤ +70°C) Ex tb IIIC T85°C Db (-40°C ≤ T <sub>a</sub> ≤ +45°C)	Transmitter: U <sub>i</sub> = 30V, I <sub>i</sub> = 120mA, P <sub>i</sub> = 0.84W, C <sub>i</sub> = 1nF & L <sub>i</sub> = 10μH Each Sensor: U <sub>i</sub> = 20V, I <sub>i</sub> = 20mA, P <sub>i</sub> = 0.2W, C <sub>i</sub> = 150nF & L <sub>i</sub> = 150μH
KST-RT-LT-IEC	$\langle \text{Ex} \rangle$ II 2GD Ex ia IIC T5 Gb (-40°C ≤ T <sub>a</sub> ≤ +70°C) Ex ia IIC T6 Gb (-40°C ≤ T <sub>a</sub> ≤ +60°C) Ex tb IIIC T100°C Db (-40°C ≤ T <sub>a</sub> ≤ +70°C) Ex tb IIIC T85°C Db (-40°C ≤ T <sub>a</sub> ≤ +60°C)	Transmitter: U <sub>i</sub> = 30V, I <sub>i</sub> = 130mA, P <sub>i</sub> = 1.0W, C <sub>i</sub> = 3.6nF & L <sub>i</sub> = 0 Each Sensor: U <sub>i</sub> = 20V, I <sub>i</sub> = 20mA, P <sub>i</sub> = 0.2W, C <sub>i</sub> = 150nF & L <sub>i</sub> = 150μH
KST-PF-LT-IEC	$\langle \text{Ex} \rangle$ II 2GD Ex ia IIC T4 Gb (-40°C ≤ T <sub>a</sub> ≤ +70°C) Ex ia IIC T6 Gb (-40°C ≤ T <sub>a</sub> ≤ +60°C) Ex tb IIIC T135°C Db (-40°C ≤ T <sub>a</sub> ≤ +70°C) Ex tb IIIC T85°C Db (-40°C ≤ T <sub>a</sub> ≤ +60°C)	Transmitter: U <sub>i</sub> = 30V, I <sub>i</sub> = 130mA, P <sub>i</sub> = 1.0W, C <sub>i</sub> = 3.6nF & L <sub>i</sub> = 0 Each Sensor: U <sub>i</sub> = 20V, I <sub>i</sub> = 20mA, P <sub>i</sub> = 0.2W, C <sub>i</sub> = 150nF & L <sub>i</sub> = 150μH
KST-PL-LT-IEC	$\langle \text{Ex} \rangle$ II 2GD Ex ib IIC T4 Gb (-40°C ≤ T <sub>a</sub> ≤ +70°C) Ex ib IIC T6 Gb (-40°C ≤ T <sub>a</sub> ≤ +60°C) Ex tb IIIC T135°C Db (-40°C ≤ T <sub>a</sub> ≤ +70°C) Ex tb IIIC T85°C Db (-40°C ≤ T <sub>a</sub> ≤ +60°C)	Transmitter: U <sub>i</sub> = 17.5V, I <sub>i</sub> = 380mA, P <sub>i</sub> = 5.32W, C <sub>i</sub> = 2nF & L <sub>i</sub> = 1μH Each Sensor: U <sub>i</sub> = 20V, I <sub>i</sub> = 20mA, P <sub>i</sub> = 0.2W, C <sub>i</sub> = 150nF & L <sub>i</sub> = 150μH

Table 2: ATEX Only Model Certification Code & Input Parameters

Model Number	Certification Code(s)	Input Parameters
KS-M	$\langle \text{Ex} \rangle$ II 2GD Ex ia IIC T6 Gb (-20°C ≤ T <sub>a</sub> ≤ +70°C) Ex tb IIIC T85°C Db (-20°C ≤ T <sub>a</sub> ≤ +70°C)	Volt-Free Contacts: U <sub>i</sub> = 28V, I <sub>i</sub> = 120mA, P <sub>i</sub> = 1.3W, C <sub>i</sub> = 0 & L <sub>i</sub> = 0
KS-MH	$\langle \text{Ex} \rangle$ II 2GD Ex ia IIC T4 Gb (-20°C ≤ T <sub>a</sub> ≤ +100°C) Ex ia IIC T6 Gb (-20°C ≤ T <sub>a</sub> ≤ +70°C) Ex tb IIIC T135°C Db (-20°C ≤ T <sub>a</sub> ≤ +100°C) Ex tb IIIC T85°C Db (-20°C ≤ T <sub>a</sub> ≤ +70°C)	Volt-Free Contacts: U <sub>i</sub> = 28V, I <sub>i</sub> = 120mA, P <sub>i</sub> = 1.3W, C <sub>i</sub> = 0 & L <sub>i</sub> = 0
KS-MR	$\langle \text{Ex} \rangle$ II 2GD Ex ia IIC T4 Gb (-20°C ≤ T <sub>a</sub> ≤ +60°C) Ex tb IIIC T135°C Db (-20°C ≤ T <sub>a</sub> ≤ +60°C)	Volt-Free Contacts & Resistors: U <sub>i</sub> = 28V, I <sub>i</sub> = 120mA, P <sub>i</sub> = 1.2W, C <sub>i</sub> = 0 & L <sub>i</sub> = 0



Model Number	Certification Code(s)	Input Parameters
KS-LM	⊕ II 2GD Ex ia IIC T6 Gb (-50°C ≤ T <sub>a</sub> ≤ +70°C) Ex tb IIIC T85°C Db (-50°C ≤ T <sub>a</sub> ≤ +70°C)	Volt-Free Contacts: U <sub>i</sub> = 28V, I <sub>i</sub> = 120mA, P <sub>i</sub> = 1.3W, C <sub>i</sub> = 0 & L <sub>i</sub> = 0
KS-LMH	⊕ II 2GD Ex ia IIC T4 Gb (-50°C ≤ T <sub>a</sub> ≤ +100°C) Ex ia IIC T6 Gb (-50°C ≤ T <sub>a</sub> ≤ +70°C) Ex tb IIIC T135°C Db (-50°C ≤ T <sub>a</sub> ≤ +100°C) Ex tb IIIC T85°C Db (-50°C ≤ T <sub>a</sub> ≤ +70°C)	Volt-Free Contacts: U <sub>i</sub> = 28V, I <sub>i</sub> = 120mA, P <sub>i</sub> = 1.3W, C <sub>i</sub> = 0 & L <sub>i</sub> = 0
KS-LMR	⊕ II 2GD Ex ia IIC T4 Gb (-50°C ≤ T <sub>a</sub> ≤ +60°C) Ex tb IIIC T135°C Db (-50°C ≤ T <sub>a</sub> ≤ +60°C)	Volt-Free Contacts & Resistors: U <sub>i</sub> = 28V, I <sub>i</sub> = 120mA, P <sub>i</sub> = 1.2W, C <sub>i</sub> = 0 & L <sub>i</sub> = 0
KS-P	⊕ II 2GD Ex ia IIC T5 Gb (-25°C ≤ T <sub>a</sub> ≤ +57°C) Ex ia IIC T6 Gb (-25°C ≤ T <sub>a</sub> ≤ +42°C) Ex tb IIIC T100°C Db (-25°C ≤ T <sub>a</sub> ≤ +57°C) Ex tb IIIC T85°C Db (-25°C ≤ T <sub>a</sub> ≤ +42°C)	Each Sensor: U <sub>i</sub> = 16V, I <sub>i</sub> = 52mA, P <sub>i</sub> = 0.169W, C <sub>i</sub> = 100nF & L <sub>i</sub> = 550μH
KS-PH	⊕ II 2GD Ex ia IIC T5 Gb (-25°C ≤ T <sub>a</sub> ≤ +87°C) Ex ia IIC T6 Gb (-25°C ≤ T <sub>a</sub> ≤ +72°C) Ex tb IIIC T100°C Db (-25°C ≤ T <sub>a</sub> ≤ +87°C) Ex tb IIIC T85°C Db (-25°C ≤ T <sub>a</sub> ≤ +72°C)	Each Sensor: U <sub>i</sub> = 16V, I <sub>i</sub> = 25mA, P <sub>i</sub> = 0.034W, C <sub>i</sub> = 100nF & L <sub>i</sub> = 550μH
KS-LP	⊕ II 2GD Ex ia IIC T5 Gb (-40°C ≤ T <sub>a</sub> ≤ +60°C) Ex ia IIC T6 Gb (-40°C ≤ T <sub>a</sub> ≤ +45°C) Ex tb IIIC T100°C Db (-40°C ≤ T <sub>a</sub> ≤ +60°C) Ex tb IIIC T85°C Db (-40°C ≤ T <sub>a</sub> ≤ +45°C)	Each Sensor: U <sub>i</sub> = 16V, I <sub>i</sub> = 52mA, P <sub>i</sub> = 0.169W, C <sub>i</sub> = 120nF & L <sub>i</sub> = 200μH
KS-LPH	⊕ II 2GD Ex ia IIC T5 Gb (-40°C ≤ T <sub>a</sub> ≤ +88°C) Ex ia IIC T6 Gb (-40°C ≤ T <sub>a</sub> ≤ +73°C) Ex tb IIIC T100°C Db (-40°C ≤ T <sub>a</sub> ≤ +88°C) Ex tb IIIC T85°C Db (-40°C ≤ T <sub>a</sub> ≤ +73°C)	Each Sensor: U <sub>i</sub> = 16V, I <sub>i</sub> = 25mA, P <sub>i</sub> = 0.034W, C <sub>i</sub> = 120nF & L <sub>i</sub> = 200μH
KS-LP-50	⊕ II 2GD Ex ia IIC T5 Gb (-50°C ≤ T <sub>a</sub> ≤ +60°C) Ex ia IIC T6 Gb (-50°C ≤ T <sub>a</sub> ≤ +45°C) Ex tb IIIC T100°C Db (-50°C ≤ T <sub>a</sub> ≤ +60°C) Ex tb IIIC T85°C Db (-50°C ≤ T <sub>a</sub> ≤ +45°C)	Each Sensor: U <sub>i</sub> = 16V, I <sub>i</sub> = 52mA, P <sub>i</sub> = 0.169W, C <sub>i</sub> = 70nF & L <sub>i</sub> = 150μH
KS-LPH-50	⊕ II 2GD Ex ia IIC T5 Gb (-50°C ≤ T <sub>a</sub> ≤ +88°C) Ex ia IIC T6 Gb (-50°C ≤ T <sub>a</sub> ≤ +73°C) Ex tb IIIC T100°C Db (-50°C ≤ T <sub>a</sub> ≤ +88°C) Ex tb IIIC T85°C Db (-50°C ≤ T <sub>a</sub> ≤ +73°C)	Each Sensor: U <sub>i</sub> = 16V, I <sub>i</sub> = 25mA, P <sub>i</sub> = 0.034W, C <sub>i</sub> = 70nF & L <sub>i</sub> = 150μH
KS-F	⊕ II 2GD Ex ia IIC T6 Gb (-20°C ≤ T <sub>a</sub> ≤ +70°C) Ex tb IIIC T85°C Db (-20°C ≤ T <sub>a</sub> ≤ +70°C)	Each Sensor: U <sub>i</sub> = 15V, I <sub>i</sub> = 50mA, P <sub>i</sub> = 0.12W, C <sub>i</sub> = 145nF & L <sub>i</sub> = 340μH
KS-LF	⊕ II 2GD Ex ia IIC T6 Gb (-40°C ≤ T <sub>a</sub> ≤ +60°C) Ex tb IIIC T85°C Db (-40°C ≤ T <sub>a</sub> ≤ +60°C)	Each Sensor: U <sub>i</sub> = 15V, I <sub>i</sub> = 50mA, P <sub>i</sub> = 0.12W, C <sub>i</sub> = 150nF & L <sub>i</sub> = 150μH
KS-T	⊕ II 2GD Ex ia IIC T6 Gb (-20°C ≤ T <sub>a</sub> ≤ +70°C) Ex tb IIIC T85°C Db (-20°C ≤ T <sub>a</sub> ≤ +70°C)	Each Sensor: U <sub>i</sub> = 20V, I <sub>i</sub> = 60mA, P <sub>i</sub> = 0.08W, C <sub>i</sub> = 250nF & L <sub>i</sub> = 350μH
KS-LT	⊕ II 2GD Ex ia IIC T6 Gb (-40°C ≤ T <sub>a</sub> ≤ +70°C) Ex tb IIIC T85°C Db (-40°C ≤ T <sub>a</sub> ≤ +70°C)	Each Sensor: U <sub>i</sub> = 20V, I <sub>i</sub> = 20mA, P <sub>i</sub> = 0.20W, C <sub>i</sub> = 150nF & L <sub>i</sub> = 150μH

Table 3: Dual IECEx & ATEX ‘-SC’ Model Certification Code & Input Parameters

Model Number	Certification Code(s)	Input Parameters
KS-M-SC-IEC	⊕ II 2G Ex ia IIC T6 Gb (-20°C ≤ T <sub>a</sub> ≤ +60°C)	Volt-Free Contacts: U <sub>i</sub> = 28V, I <sub>i</sub> = 120mA, P <sub>i</sub> = 1.3W, C <sub>i</sub> = 0 & L <sub>i</sub> = 0
KS-MR-SC-IEC	⊕ II 2G Ex ia IIC T4 Gb (-20°C ≤ T <sub>a</sub> ≤ +60°C)	Volt-Free Contacts & Resistors: U <sub>i</sub> = 28V, I <sub>i</sub> = 120mA, P <sub>i</sub> = 1.2W, C <sub>i</sub> = 0 & L <sub>i</sub> = 0
KS-LM-SC-IEC	⊕ II 2G Ex ia IIC T6 Gb (-40°C ≤ T <sub>a</sub> ≤ +60°C)	Volt-Free Contacts: U <sub>i</sub> = 28V, I <sub>i</sub> = 120mA, P <sub>i</sub> = 1.3W, C <sub>i</sub> = 0 & L <sub>i</sub> = 0
KS-LMR-SC-IEC	⊕ II 2G Ex ia IIC T4 Gb (-40°C ≤ T <sub>a</sub> ≤ +60°C)	Volt-Free Contacts & Resistors: U <sub>i</sub> = 28V, I <sub>i</sub> = 120mA, P <sub>i</sub> = 1.2W, C <sub>i</sub> = 0 & L <sub>i</sub> = 0
KS-P-SC-IEC	⊕ II 2G Ex ia IIC T5 Gb (-25°C ≤ T <sub>a</sub> ≤ +57°C) Ex ia IIC T6 Gb (-25°C ≤ T <sub>a</sub> ≤ +42°C)	Each Sensor: U <sub>i</sub> = 16V, I <sub>i</sub> = 52mA, P <sub>i</sub> = 0.169W, C <sub>i</sub> = 100nF & L <sub>i</sub> = 550μH
KS-PH-SC-IEC	⊕ II 2G Ex ia IIC T6 Gb (-25°C ≤ T <sub>a</sub> ≤ +60°C)	Each Sensor: U <sub>i</sub> = 16V, I <sub>i</sub> = 25mA, P <sub>i</sub> = 0.034W, C <sub>i</sub> = 100nF & L <sub>i</sub> = 550μH
KS-LP-SC-IEC	⊕ II 2G Ex ia IIC T5 Gb (-40°C ≤ T <sub>a</sub> ≤ +60°C) Ex ia IIC T6 Gb (-40°C ≤ T <sub>a</sub> ≤ +45°C)	Each Sensor: U <sub>i</sub> = 16V, I <sub>i</sub> = 52mA, P <sub>i</sub> = 0.169W, C <sub>i</sub> = 120nF & L <sub>i</sub> = 200μH
KS-LPH-SC-IEC	⊕ II 2G Ex ia IIC T6 Gb (-40°C ≤ T <sub>a</sub> ≤ +60°C)	Each Sensor: U <sub>i</sub> = 16V, I <sub>i</sub> = 25mA, P <sub>i</sub> = 0.034W, C <sub>i</sub> = 120nF & L <sub>i</sub> = 200μH
KS-LP-50-SC-IEC	⊕ II 2G Ex ia IIC T5 Gb (-40°C ≤ T <sub>a</sub> ≤ +60°C) Ex ia IIC T6 Gb (-40°C ≤ T <sub>a</sub> ≤ +45°C)	Each Sensor: U <sub>i</sub> = 16V, I <sub>i</sub> = 52mA, P <sub>i</sub> = 0.169W, C <sub>i</sub> = 70nF & L <sub>i</sub> = 150μH
KS-LPH-50-SC-IEC	⊕ II 2G Ex ia IIC T6 Gb (-40°C ≤ T <sub>a</sub> ≤ +60°C)	Each Sensor: U <sub>i</sub> = 16V, I <sub>i</sub> = 25mA, P <sub>i</sub> = 0.034W, C <sub>i</sub> = 70nF & L <sub>i</sub> = 150μH
KS-F-SC-IEC	⊕ II 2G Ex ia IIC T6 Gb (-20°C ≤ T <sub>a</sub> ≤ +60°C)	Each Sensor: U <sub>i</sub> = 15V, I <sub>i</sub> = 50mA, P <sub>i</sub> = 0.12W, C <sub>i</sub> = 145nF & L <sub>i</sub> = 340μH
KS-LF-SC-IEC	⊕ II 2G Ex ia IIC T6 Gb (-40°C ≤ T <sub>a</sub> ≤ +60°C)	Each Sensor: U <sub>i</sub> = 15V, I <sub>i</sub> = 50mA, P <sub>i</sub> = 0.12W, C <sub>i</sub> = 150nF & L <sub>i</sub> = 150μH
KS-T-SC-IEC	⊕ II 2G Ex ia IIC T6 Gb (-20°C ≤ T <sub>a</sub> ≤ +60°C)	Each Sensor: U <sub>i</sub> = 20V, I <sub>i</sub> = 60mA, P <sub>i</sub> = 0.08W, C <sub>i</sub> = 250nF & L <sub>i</sub> = 350μH
KS-LT-SC-IEC	⊕ II 2G Ex ia IIC T6 Gb (-40°C ≤ T <sub>a</sub> ≤ +60°C)	Each Sensor: U <sub>i</sub> = 20V, I <sub>i</sub> = 20mA, P <sub>i</sub> = 0.20W, C <sub>i</sub> = 150nF & L <sub>i</sub> = 150μH
KSR-T4-SC-IEC	⊕ II 2G Ex ia IIC T4 Gb (-40°C ≤ T <sub>a</sub> ≤ +60°C)	Potentiometer: U <sub>i</sub> = 28V, P <sub>i</sub> = 0.84W, C <sub>i</sub> = 0 & L <sub>i</sub> = 0
KSR-T6-SC-IEC	⊕ II 2G Ex ia IIC T4 Gb (-40°C ≤ T <sub>a</sub> ≤ +60°C) Ex ia IIC T5 Gb (-40°C ≤ T <sub>a</sub> ≤ +55°C) Ex ia IIC T6 Gb (-40°C ≤ T <sub>a</sub> ≤ +40°C)	Potentiometer: U <sub>i</sub> = 28V, P <sub>i</sub> = 0.19W, C <sub>i</sub> = 0 & L <sub>i</sub> = 0
KSR-LM-T4-SC-IEC	⊕ II 2G Ex ia IIC T4 Gb (-40°C ≤ T <sub>a</sub> ≤ +60°C)	Potentiometer: U <sub>i</sub> = 28V, P <sub>i</sub> = 0.84W, C <sub>i</sub> = 0 & L <sub>i</sub> = 0 Volt-Free Contacts: U <sub>i</sub> = 28V, I <sub>i</sub> = 120mA, P <sub>i</sub> = 1.3W, C <sub>i</sub> = 0 & L <sub>i</sub> = 0
KSR-LM-T6-SC-IEC	⊕ II 2G Ex ia IIC T4 Gb (-40°C ≤ T <sub>a</sub> ≤ +60°C) Ex ia IIC T5 Gb (-40°C ≤ T <sub>a</sub> ≤ +55°C) Ex ia IIC T6 Gb (-40°C ≤ T <sub>a</sub> ≤ +40°C)	Potentiometer: U <sub>i</sub> = 28V, P <sub>i</sub> = 0.19W, C <sub>i</sub> = 0 & L <sub>i</sub> = 0 Volt-Free Contacts: U <sub>i</sub> = 28V, I <sub>i</sub> = 120mA, P <sub>i</sub> = 1.3W, C <sub>i</sub> = 0 & L <sub>i</sub> = 0
KSR-LMR-T4-SC-IEC	⊕ II 2G Ex ia IIC T4 Gb (-40°C ≤ T <sub>a</sub> ≤ +60°C)	Potentiometer: U <sub>i</sub> = 28V, P <sub>i</sub> = 0.84W, C <sub>i</sub> = 0 & L <sub>i</sub> = 0 Volt-Free Contacts & Resistors: U <sub>i</sub> = 28V, I <sub>i</sub> = 120mA, P <sub>i</sub> = 1.2W, C <sub>i</sub> = 0 & L <sub>i</sub> = 0
KSR-P-T4-SC-IEC	⊕ II 2G Ex ia IIC T4 Gb (-25°C ≤ T <sub>a</sub> ≤ +60°C)	Potentiometer: U <sub>i</sub> = 28V, P <sub>i</sub> = 0.84W, C <sub>i</sub> = 0 & L <sub>i</sub> = 0 Each Sensor: U <sub>i</sub> = 16V, I <sub>i</sub> = 52mA, P <sub>i</sub> = 0.169W, C <sub>i</sub> = 100nF & L <sub>i</sub> = 550μH

Model Number	Certification Code(s)	Input Parameters
KSR-P-T6-SC-IEC	⊕ II 2G Ex ia IIC T4 Gb (-25°C ≤ T <sub>a</sub> ≤ +60°C) Ex ia IIC T5 Gb (-25°C ≤ T <sub>a</sub> ≤ +55°C) Ex ia IIC T6 Gb (-25°C ≤ T <sub>a</sub> ≤ +40°C)	Potentiometer: U <sub>i</sub> = 28V, P <sub>i</sub> = 0.19W, C <sub>i</sub> = 0 & L <sub>i</sub> = 0 Each Sensor: U <sub>i</sub> = 16V, I <sub>i</sub> = 52mA, P <sub>i</sub> = 0.169W, C <sub>i</sub> = 100nF & L <sub>i</sub> = 550μH
KSR-LP-T4-SC-IEC	⊕ II 2G Ex ia IIC T4 Gb (-40°C ≤ T <sub>a</sub> ≤ +60°C)	Potentiometer: U <sub>i</sub> = 28V, P <sub>i</sub> = 0.84W, C <sub>i</sub> = 0 & L <sub>i</sub> = 0 Each Sensor: U <sub>i</sub> = 16V, I <sub>i</sub> = 52mA, P <sub>i</sub> = 0.169W, C <sub>i</sub> = 120nF & L <sub>i</sub> = 200μH
KSR-LP-T6-SC-IEC	⊕ II 2G Ex ia IIC T4 Gb (-40°C ≤ T <sub>a</sub> ≤ +60°C) Ex ia IIC T5 Gb (-40°C ≤ T <sub>a</sub> ≤ +55°C) Ex ia IIC T6 Gb (-40°C ≤ T <sub>a</sub> ≤ +40°C)	Potentiometer: U <sub>i</sub> = 28V, P <sub>i</sub> = 0.19W, C <sub>i</sub> = 0 & L <sub>i</sub> = 0 Each Sensor: U <sub>i</sub> = 16V, I <sub>i</sub> = 52mA, P <sub>i</sub> = 0.169W, C <sub>i</sub> = 120nF & L <sub>i</sub> = 200μH
KSR-LP-50-T4-SC-IEC	⊕ II 2G Ex ia IIC T4 Gb (-40°C ≤ T <sub>a</sub> ≤ +60°C)	Potentiometer: U <sub>i</sub> = 28V, P <sub>i</sub> = 0.84W, C <sub>i</sub> = 0 & L <sub>i</sub> = 0 Each Sensor: U <sub>i</sub> = 16V, I <sub>i</sub> = 52mA, P <sub>i</sub> = 0.169W, C <sub>i</sub> = 70nF & L <sub>i</sub> = 150μH
KSR-LP-50-T6-SC-IEC	⊕ II 2G Ex ia IIC T4 Gb (-40°C ≤ T <sub>a</sub> ≤ +60°C) Ex ia IIC T5 Gb (-40°C ≤ T <sub>a</sub> ≤ +55°C) Ex ia IIC T6 Gb (-40°C ≤ T <sub>a</sub> ≤ +40°C)	Potentiometer: U <sub>i</sub> = 28V, P <sub>i</sub> = 0.19W, C <sub>i</sub> = 0 & L <sub>i</sub> = 0 Each Sensor: U <sub>i</sub> = 16V, I <sub>i</sub> = 52mA, P <sub>i</sub> = 0.169W, C <sub>i</sub> = 70nF & L <sub>i</sub> = 150μH
KSR-T-T4-SC-IEC	⊕ II 2G Ex ia IIC T4 Gb (-25°C ≤ T <sub>a</sub> ≤ +60°C)	Potentiometer: U <sub>i</sub> = 28V, P <sub>i</sub> = 0.84W, C <sub>i</sub> = 0 & L <sub>i</sub> = 0 Each Sensor: U <sub>i</sub> = 20V, I <sub>i</sub> = 60mA, P <sub>i</sub> = 0.08W, C <sub>i</sub> = 250nF & L <sub>i</sub> = 350μH
KSR-T-T6-SC-IEC	⊕ II 2G Ex ia IIC T4 Gb (-25°C ≤ T <sub>a</sub> ≤ +60°C) Ex ia IIC T5 Gb (-25°C ≤ T <sub>a</sub> ≤ +55°C) Ex ia IIC T6 Gb (-25°C ≤ T <sub>a</sub> ≤ +40°C)	Potentiometer: U <sub>i</sub> = 28V, P <sub>i</sub> = 0.19W, C <sub>i</sub> = 0 & L <sub>i</sub> = 0 Each Sensor: U <sub>i</sub> = 20V, I <sub>i</sub> = 60mA, P <sub>i</sub> = 0.08W, C <sub>i</sub> = 250nF & L <sub>i</sub> = 350μH
KSR-F-T4-SC-IEC	⊕ II 2G Ex ia IIC T4 Gb (-20°C ≤ T <sub>a</sub> ≤ +60°C)	Potentiometer: U <sub>i</sub> = 28V, P <sub>i</sub> = 0.84W, C <sub>i</sub> = 0 & L <sub>i</sub> = 0 Each Sensor: U <sub>i</sub> = 15V, I <sub>i</sub> = 50mA, P <sub>i</sub> = 0.12W, C <sub>i</sub> = 145nF & L <sub>i</sub> = 340μH
KSR-F-T6-SC-IEC	⊕ II 2G Ex ia IIC T4 Gb (-20°C ≤ T <sub>a</sub> ≤ +60°C) Ex ia IIC T5 Gb (-20°C ≤ T <sub>a</sub> ≤ +55°C) Ex ia IIC T6 Gb (-20°C ≤ T <sub>a</sub> ≤ +40°C)	Potentiometer: U <sub>i</sub> = 28V, P <sub>i</sub> = 0.19W, C <sub>i</sub> = 0 & L <sub>i</sub> = 0 Each Sensor: U <sub>i</sub> = 15V, I <sub>i</sub> = 50mA, P <sub>i</sub> = 0.12W, C <sub>i</sub> = 145nF & L <sub>i</sub> = 340μH
KSR-LF-T4-SC-IEC	⊕ II 2G Ex ia IIC T4 Gb (-40°C ≤ T <sub>a</sub> ≤ +60°C)	Potentiometer: U <sub>i</sub> = 28V, P <sub>i</sub> = 0.84W, C <sub>i</sub> = 0 & L <sub>i</sub> = 0 Each Sensor: U <sub>i</sub> = 15V, I <sub>i</sub> = 50mA, P <sub>i</sub> = 0.12W, C <sub>i</sub> = 150nF & L <sub>i</sub> = 150μH
KSR-LF-T6-SC-IEC	⊕ II 2G Ex ia IIC T4 Gb (-40°C ≤ T <sub>a</sub> ≤ +60°C) Ex ia IIC T6 Gb (-40°C ≤ T <sub>a</sub> ≤ +40°C)	Potentiometer: U <sub>i</sub> = 28V, P <sub>i</sub> = 0.19W, C <sub>i</sub> = 0 & L <sub>i</sub> = 0 Each Sensor: U <sub>i</sub> = 15V, I <sub>i</sub> = 50mA, P <sub>i</sub> = 0.12W, C <sub>i</sub> = 150nF & L <sub>i</sub> = 150μH
KST-ET-SC-IEC	⊕ II 2G Ex ia IIC T5 Gb (-40°C ≤ T <sub>a</sub> ≤ +60°C) Ex ia IIC T6 Gb (-40°C ≤ T <sub>a</sub> ≤ +55°C)	Transmitter: U <sub>i</sub> = 24V, I <sub>i</sub> = 100mA, P <sub>i</sub> = 0.75W, C <sub>i</sub> = 5nF & L <sub>i</sub> = 0
KST-AT-SC-IEC	⊕ II 2G Ex ia IIC T5 Gb (-40°C ≤ T <sub>a</sub> ≤ +60°C) Ex ia IIC T6 Gb (-40°C ≤ T <sub>a</sub> ≤ +56°C)	Transmitter: U <sub>i</sub> = 30V, I <sub>i</sub> = 130mA, P <sub>i</sub> = 0.8W, C <sub>i</sub> = 5nF & L <sub>i</sub> = 0.5mH
KST-PT-SC-IEC	⊕ II 2G Ex ia IIC T4 Gb (-40°C ≤ T <sub>a</sub> ≤ +60°C) Ex ia IIC T6 Gb (-40°C ≤ T <sub>a</sub> ≤ +45°C)	Transmitter: U <sub>i</sub> = 30V, I <sub>i</sub> = 120mA, P <sub>i</sub> = 0.84W, C <sub>i</sub> = 1nF & L <sub>i</sub> = 10μH
KST-RT-SC-IEC	⊕ II 2G Ex ia IIC T6 Gb (-40°C ≤ T <sub>a</sub> ≤ +60°C)	Transmitter: U <sub>i</sub> = 30V, I <sub>i</sub> = 130mA, P <sub>i</sub> = 1.0W, C <sub>i</sub> = 3.6nF & L <sub>i</sub> = 0

Model Number	Certification Code(s)	Input Parameters
KST-PF-SC-IEC	⊕ II 2G Ex ia IIC T6 Gb (-40°C ≤ T <sub>a</sub> ≤ +60°C)	Transmitter: U <sub>i</sub> = 30V, I <sub>i</sub> = 120mA, P <sub>i</sub> = 0.84W, C <sub>i</sub> = 2nF & L <sub>i</sub> = 1μH
KST-PL-SC-IEC	⊕ II 2G Ex ib IIC T6 Gb (-40°C ≤ T <sub>a</sub> ≤ +60°C)	Transmitter: U <sub>i</sub> = 17.5V, I <sub>i</sub> = 380mA, P <sub>i</sub> = 5.32W, C <sub>i</sub> = 2nF & L <sub>i</sub> = 1μH
KST-ET-LM-SC-IEC	⊕ II 2G Ex ia IIC T5 Gb (-40°C ≤ T <sub>a</sub> ≤ +60°C) Ex ia IIC T6 Gb (-40°C ≤ T <sub>a</sub> ≤ +55°C)	Transmitter: U <sub>i</sub> = 24V, I <sub>i</sub> = 100mA, P <sub>i</sub> = 0.75W, C <sub>i</sub> = 5nF & L <sub>i</sub> = 0 Volt-Free Contacts: U <sub>i</sub> = 28V, I <sub>i</sub> = 120mA, P <sub>i</sub> = 1.3W, C <sub>i</sub> = 0 & L <sub>i</sub> = 0
KST-AT-LM-SC-IEC	⊕ II 2G Ex ia IIC T4 Gb (-40°C ≤ T <sub>a</sub> ≤ +60°C) Ex ia IIC T6 Gb (-40°C ≤ T <sub>a</sub> ≤ +56°C)	Transmitter: U <sub>i</sub> = 30V, I <sub>i</sub> = 130mA, P <sub>i</sub> = 0.8W, C <sub>i</sub> = 5nF & L <sub>i</sub> = 0.5mH Volt-Free Contacts: U <sub>i</sub> = 28V, I <sub>i</sub> = 120mA, P <sub>i</sub> = 1.3W, C <sub>i</sub> = 0 & L <sub>i</sub> = 0
KST-PT-LM-SC-IEC	⊕ II 2G Ex ia IIC T4 Gb (-40°C ≤ T <sub>a</sub> ≤ +60°C) Ex ia IIC T6 Gb (-40°C ≤ T <sub>a</sub> ≤ +45°C)	Transmitter: U <sub>i</sub> = 30V, I <sub>i</sub> = 120mA, P <sub>i</sub> = 0.84W, C <sub>i</sub> = 1nF & L <sub>i</sub> = 10μH Volt-Free Contacts: U <sub>i</sub> = 28V, I <sub>i</sub> = 120mA, P <sub>i</sub> = 1.3W, C <sub>i</sub> = 0 & L <sub>i</sub> = 0
KST-RT-LM-SC-IEC	⊕ II 2G Ex ia IIC T6 Gb (-40°C ≤ T <sub>a</sub> ≤ +60°C)	Transmitter: U <sub>i</sub> = 30V, I <sub>i</sub> = 130mA, P <sub>i</sub> = 1.0W, C <sub>i</sub> = 3.6nF & L <sub>i</sub> = 0 Volt-Free Contacts: U <sub>i</sub> = 28V, I <sub>i</sub> = 120mA, P <sub>i</sub> = 1.3W, C <sub>i</sub> = 0 & L <sub>i</sub> = 0
KST-PF-LM-SC-IEC	⊕ II 2G Ex ia IIC T6 Gb (-40°C ≤ T <sub>a</sub> ≤ +60°C)	Transmitter: U <sub>i</sub> = 30V, I <sub>i</sub> = 120mA, P <sub>i</sub> = 0.84W, C <sub>i</sub> = 2nF & L <sub>i</sub> = 1μH Volt-Free Contacts: U <sub>i</sub> = 28V, I <sub>i</sub> = 120mA, P <sub>i</sub> = 1.3W, C <sub>i</sub> = 0 & L <sub>i</sub> = 0
KST-PL-LM-SC-IEC	⊕ II 2G Ex ib IIC T6 Gb (-40°C ≤ T <sub>a</sub> ≤ +60°C)	Transmitter: U <sub>i</sub> = 17.5V, I <sub>i</sub> = 380mA, P <sub>i</sub> = 5.32W, C <sub>i</sub> = 2nF & L <sub>i</sub> = 1μH Volt-Free Contacts: U <sub>i</sub> = 28V, I <sub>i</sub> = 120mA, P <sub>i</sub> = 1.3W, C <sub>i</sub> = 0 & L <sub>i</sub> = 0
KST-ET-LMR-SC-IEC	⊕ II 2G Ex ia IIC T4 Gb (-40°C ≤ T <sub>a</sub> ≤ +60°C)	Transmitter: U <sub>i</sub> = 24V, I <sub>i</sub> = 100mA, P <sub>i</sub> = 0.75W, C <sub>i</sub> = 5nF & L <sub>i</sub> = 0 Volt-Free Contacts & Resistors: U <sub>i</sub> = 28V, I <sub>i</sub> = 120mA, P <sub>i</sub> = 1.2W, C <sub>i</sub> = 0 & L <sub>i</sub> = 0
KST-AT-LMR-SC-IEC	⊕ II 2G Ex ia IIC T4 Gb (-40°C ≤ T <sub>a</sub> ≤ +60°C)	Transmitter: U <sub>i</sub> = 30V, I <sub>i</sub> = 130mA, P <sub>i</sub> = 0.8W, C <sub>i</sub> = 5nF & L <sub>i</sub> = 0.5mH Volt-Free Contacts & Resistors: U <sub>i</sub> = 28V, I <sub>i</sub> = 120mA, P <sub>i</sub> = 1.2W, C <sub>i</sub> = 0 & L <sub>i</sub> = 0
KST-PT-LMR-SC-IEC	⊕ II 2G Ex ia IIC T4 Gb (-40°C ≤ T <sub>a</sub> ≤ +60°C)	Transmitter: U <sub>i</sub> = 30V, I <sub>i</sub> = 120mA, P <sub>i</sub> = 0.84W, C <sub>i</sub> = 1nF & L <sub>i</sub> = 10μH Volt-Free Contacts & Resistors: U <sub>i</sub> = 28V, I <sub>i</sub> = 120mA, P <sub>i</sub> = 1.2W, C <sub>i</sub> = 0 & L <sub>i</sub> = 0
KST-RT-LMR-SC-IEC	⊕ II 2G Ex ia IIC T4 Gb (-40°C ≤ T <sub>a</sub> ≤ +60°C)	Transmitter: U <sub>i</sub> = 30V, I <sub>i</sub> = 130mA, P <sub>i</sub> = 1.0W, C <sub>i</sub> = 3.6nF & L <sub>i</sub> = 0 Volt-Free Contacts & Resistors: U <sub>i</sub> = 28V, I <sub>i</sub> = 120mA, P <sub>i</sub> = 1.2W, C <sub>i</sub> = 0 & L <sub>i</sub> = 0
KST-PF-LMR-SC-IEC	⊕ II 2G Ex ia IIC T4 Gb (-40°C ≤ T <sub>a</sub> ≤ +60°C)	Transmitter: U <sub>i</sub> = 30V, I <sub>i</sub> = 120mA, P <sub>i</sub> = 0.84W, C <sub>i</sub> = 2nF & L <sub>i</sub> = 1μH Volt-Free Contacts & Resistors: U <sub>i</sub> = 28V, I <sub>i</sub> = 120mA, P <sub>i</sub> = 1.2W, C <sub>i</sub> = 0 & L <sub>i</sub> = 0
KST-PL-LMR-SC-IEC	⊕ II 2G Ex ib IIC T4 Gb (-40°C ≤ T <sub>a</sub> ≤ +60°C)	Transmitter: U <sub>i</sub> = 17.5V, I <sub>i</sub> = 380mA, P <sub>i</sub> = 5.32W, C <sub>i</sub> = 2nF & L <sub>i</sub> = 1μH Volt-Free Contacts & Resistors: U <sub>i</sub> = 28V, I <sub>i</sub> = 120mA, P <sub>i</sub> = 1.2W, C <sub>i</sub> = 0 & L <sub>i</sub> = 0
KST-ET-P-SC-IEC	⊕ II 2G Ex ia IIC T4 Gb (-25°C ≤ T <sub>a</sub> ≤ +60°C) Ex ia IIC T5 Gb (-25°C ≤ T <sub>a</sub> ≤ +57°C) Ex ia IIC T6 Gb (-25°C ≤ T <sub>a</sub> ≤ +42°C)	Transmitter: U <sub>i</sub> = 24V, I <sub>i</sub> = 100mA, P <sub>i</sub> = 0.75W, C <sub>i</sub> = 5nF & L <sub>i</sub> = 0 Each Sensor: U <sub>i</sub> = 16V, I <sub>i</sub> = 52mA, P <sub>i</sub> = 0.169W, C <sub>i</sub> = 100nF & L <sub>i</sub> = 550μH



Model Number	Certification Code(s)	Input Parameters
KST-AT-P-SC-IEC	⊕ II 2G Ex ia IIC T4 Gb (-25°C ≤ T <sub>a</sub> ≤ +60°C) Ex ia IIC T5 Gb (-25°C ≤ T <sub>a</sub> ≤ +57°C) Ex ia IIC T6 Gb (-25°C ≤ T <sub>a</sub> ≤ +42°C)	Transmitter: U <sub>i</sub> = 30V, I <sub>i</sub> = 130mA, P <sub>i</sub> = 0.8W, C <sub>i</sub> = 5nF & L <sub>i</sub> = 0.5mH Each Sensor: U <sub>i</sub> = 16V, I <sub>i</sub> = 52mA, P <sub>i</sub> = 0.169W, C <sub>i</sub> = 100nF & L <sub>i</sub> = 550μH
KST-PT-P-SC-IEC	⊕ II 2G Ex ia IIC T4 Gb (-25°C ≤ T <sub>a</sub> ≤ +60°C) Ex ia IIC T6 Gb (-25°C ≤ T <sub>a</sub> ≤ +42°C)	Transmitter: U <sub>i</sub> = 30V, I <sub>i</sub> = 120mA, P <sub>i</sub> = 0.84W, C <sub>i</sub> = 1nF & L <sub>i</sub> = 10μH Each Sensor: U <sub>i</sub> = 16V, I <sub>i</sub> = 52mA, P <sub>i</sub> = 0.169W, C <sub>i</sub> = 100nF & L <sub>i</sub> = 550μH
KST-RT-P-SC-IEC	⊕ II 2G Ex ia IIC T5 Gb (-25°C ≤ T <sub>a</sub> ≤ +57°C) Ex ia IIC T6 Gb (-25°C ≤ T <sub>a</sub> ≤ +42°C)	Transmitter: U <sub>i</sub> = 30V, I <sub>i</sub> = 130mA, P <sub>i</sub> = 1.0W, C <sub>i</sub> = 3.6nF & L <sub>i</sub> = 0 Each Sensor: U <sub>i</sub> = 16V, I <sub>i</sub> = 52mA, P <sub>i</sub> = 0.169W, C <sub>i</sub> = 100nF & L <sub>i</sub> = 550μH
KST-PF-P-SC-IEC	⊕ II 2G Ex ia IIC T4 Gb (-25°C ≤ T <sub>a</sub> ≤ +60°C) Ex ia IIC T6 Gb (-25°C ≤ T <sub>a</sub> ≤ +42°C)	Transmitter: U <sub>i</sub> = 30V, I <sub>i</sub> = 120mA, P <sub>i</sub> = 0.84W, C <sub>i</sub> = 2nF & L <sub>i</sub> = 1μH Each Sensor: U <sub>i</sub> = 16V, I <sub>i</sub> = 52mA, P <sub>i</sub> = 0.169W, C <sub>i</sub> = 100nF & L <sub>i</sub> = 550μH
KST-PL-P-SC-IEC	⊕ II 2G Ex ib IIC T4 Gb (-25°C ≤ T <sub>a</sub> ≤ +60°C) Ex ib IIC T6 Gb (-25°C ≤ T <sub>a</sub> ≤ +42°C)	Transmitter: U <sub>i</sub> = 17.5V, I <sub>i</sub> = 380mA, P <sub>i</sub> = 5.32W, C <sub>i</sub> = 2nF & L <sub>i</sub> = 1μH Each Sensor: U <sub>i</sub> = 16V, I <sub>i</sub> = 52mA, P <sub>i</sub> = 0.169W, C <sub>i</sub> = 100nF & L <sub>i</sub> = 550μH
KST-ET-LP-SC-IEC	⊕ II 2G Ex ia IIC T5 Gb (-40°C ≤ T <sub>a</sub> ≤ +60°C) Ex ia IIC T6 Gb (-40°C ≤ T <sub>a</sub> ≤ +45°C)	Transmitter: U <sub>i</sub> = 24V, I <sub>i</sub> = 100mA, P <sub>i</sub> = 0.75W, C <sub>i</sub> = 5nF & L <sub>i</sub> = 0 Each Sensor: U <sub>i</sub> = 16V, I <sub>i</sub> = 52mA, P <sub>i</sub> = 0.169W, C <sub>i</sub> = 120nF & L <sub>i</sub> = 200μH
KST-AT-LP-SC-IEC	⊕ II 2G Ex ia IIC T5 Gb (-40°C ≤ T <sub>a</sub> ≤ +60°C) Ex ia IIC T6 Gb (-40°C ≤ T <sub>a</sub> ≤ +45°C)	Transmitter: U <sub>i</sub> = 30V, I <sub>i</sub> = 130mA, P <sub>i</sub> = 0.8W, C <sub>i</sub> = 5nF & L <sub>i</sub> = 0.5mH Each Sensor: U <sub>i</sub> = 16V, I <sub>i</sub> = 52mA, P <sub>i</sub> = 0.169W, C <sub>i</sub> = 120nF & L <sub>i</sub> = 200μH
KST-PT-LP-SC-IEC	⊕ II 2G Ex ia IIC T4 Gb (-25°C ≤ T <sub>a</sub> ≤ +60°C) Ex ia IIC T6 Gb (-25°C ≤ T <sub>a</sub> ≤ +45°C)	Transmitter: U <sub>i</sub> = 30V, I <sub>i</sub> = 120mA, P <sub>i</sub> = 0.84W, C <sub>i</sub> = 1nF & L <sub>i</sub> = 10μH Each Sensor: U <sub>i</sub> = 16V, I <sub>i</sub> = 52mA, P <sub>i</sub> = 0.169W, C <sub>i</sub> = 120nF & L <sub>i</sub> = 200μH
KST-RT-LP-SC-IEC	⊕ II 2G Ex ia IIC T5 Gb (-40°C ≤ T <sub>a</sub> ≤ +60°C) Ex ia IIC T6 Gb (-40°C ≤ T <sub>a</sub> ≤ +45°C)	Transmitter: U <sub>i</sub> = 30V, I <sub>i</sub> = 130mA, P <sub>i</sub> = 1.0W, C <sub>i</sub> = 3.6nF & L <sub>i</sub> = 0 Each Sensor: U <sub>i</sub> = 16V, I <sub>i</sub> = 52mA, P <sub>i</sub> = 0.169W, C <sub>i</sub> = 120nF & L <sub>i</sub> = 200μH
KST-PF-LP-SC-IEC	⊕ II 2G Ex ia IIC T4 Gb (-40°C ≤ T <sub>a</sub> ≤ +60°C) Ex ia IIC T6 Gb (-40°C ≤ T <sub>a</sub> ≤ +45°C)	Transmitter: U <sub>i</sub> = 30V, I <sub>i</sub> = 120mA, P <sub>i</sub> = 0.84W, C <sub>i</sub> = 2nF & L <sub>i</sub> = 1μH Each Sensor: U <sub>i</sub> = 16V, I <sub>i</sub> = 52mA, P <sub>i</sub> = 0.169W, C <sub>i</sub> = 120nF & L <sub>i</sub> = 200μH
KST-PL-LP-SC-IEC	⊕ II 2G Ex ib IIC T4 Gb (-40°C ≤ T <sub>a</sub> ≤ +60°C) Ex ib IIC T6 Gb (-40°C ≤ T <sub>a</sub> ≤ +45°C)	Transmitter: U <sub>i</sub> = 17.5V, I <sub>i</sub> = 380mA, P <sub>i</sub> = 5.32W, C <sub>i</sub> = 2nF & L <sub>i</sub> = 1μH Each Sensor: U <sub>i</sub> = 16V, I <sub>i</sub> = 52mA, P <sub>i</sub> = 0.169W, C <sub>i</sub> = 120nF & L <sub>i</sub> = 200μH
KST-AT-LP-50-SC-IEC	⊕ II 2G Ex ia IIC T5 Gb (-40°C ≤ T <sub>a</sub> ≤ +60°C) Ex ia IIC T6 Gb (-40°C ≤ T <sub>a</sub> ≤ +45°C)	Transmitter: U <sub>i</sub> = 30V, I <sub>i</sub> = 130mA, P <sub>i</sub> = 0.8W, C <sub>i</sub> = 5nF & L <sub>i</sub> = 0.5mH Each Sensor: U <sub>i</sub> = 16V, I <sub>i</sub> = 52mA, P <sub>i</sub> = 0.169W, C <sub>i</sub> = 70nF & L <sub>i</sub> = 150μH
KST-RT-LP-50-SC-IEC	⊕ II 2G Ex ia IIC T5 Gb (-40°C ≤ T <sub>a</sub> ≤ +60°C) Ex ia IIC T6 Gb (-40°C ≤ T <sub>a</sub> ≤ +45°C)	Transmitter: U <sub>i</sub> = 30V, I <sub>i</sub> = 130mA, P <sub>i</sub> = 1.0W, C <sub>i</sub> = 3.6nF & L <sub>i</sub> = 0 Each Sensor: U <sub>i</sub> = 16V, I <sub>i</sub> = 52mA, P <sub>i</sub> = 0.169W, C <sub>i</sub> = 70nF & L <sub>i</sub> = 150μH

Model Number	Certification Code(s)	Input Parameters
KST-ET-F-SC-IEC	⊕ II 2G Ex ia IIC T5 Gb (-20°C ≤ T <sub>a</sub> ≤ +60°C) Ex ia IIC T6 Gb (-20°C ≤ T <sub>a</sub> ≤ +55°C)	Transmitter: U <sub>i</sub> = 24V, I <sub>i</sub> = 100mA, P <sub>i</sub> = 0.75W, C <sub>i</sub> = 5nF & L <sub>i</sub> = 0 Each Sensor: U <sub>i</sub> = 15V, I <sub>i</sub> = 50mA, P <sub>i</sub> = 0.12W, C <sub>i</sub> = 145nF & L <sub>i</sub> = 340μH
KST-AT-F-SC-IEC	⊕ II 2G Ex ia IIC T5 Gb (-20°C ≤ T <sub>a</sub> ≤ +60°C) Ex ia IIC T6 Gb (-20°C ≤ T <sub>a</sub> ≤ +56°C)	Transmitter: U <sub>i</sub> = 30V, I <sub>i</sub> = 130mA, P <sub>i</sub> = 0.8W, C <sub>i</sub> = 5nF & L <sub>i</sub> = 0.5mH Each Sensor: U <sub>i</sub> = 15V, I <sub>i</sub> = 50mA, P <sub>i</sub> = 0.12W, C <sub>i</sub> = 145nF & L <sub>i</sub> = 340μH
KST-PT-F-SC-IEC	⊕ II 2G Ex ia IIC T4 Gb (-20°C ≤ T <sub>a</sub> ≤ +60°C) Ex ia IIC T6 Gb (-20°C ≤ T <sub>a</sub> ≤ +45°C)	Transmitter: U <sub>i</sub> = 30V, I <sub>i</sub> = 120mA, P <sub>i</sub> = 0.84W, C <sub>i</sub> = 1nF & L <sub>i</sub> = 10μH Each Sensor: U <sub>i</sub> = 15V, I <sub>i</sub> = 50mA, P <sub>i</sub> = 0.12W, C <sub>i</sub> = 145nF & L <sub>i</sub> = 340μH
KST-RT-F-SC-IEC	⊕ II 2G Ex ia IIC T6 Gb (-20°C ≤ T <sub>a</sub> ≤ +60°C)	Transmitter: U <sub>i</sub> = 30V, I <sub>i</sub> = 130mA, P <sub>i</sub> = 1.0W, C <sub>i</sub> = 3.6nF & L <sub>i</sub> = 0 Each Sensor: U <sub>i</sub> = 15V, I <sub>i</sub> = 50mA, P <sub>i</sub> = 0.12W, C <sub>i</sub> = 145nF & L <sub>i</sub> = 340μH
KST-PF-F-SC-IEC	⊕ II 2G Ex ia IIC T6 Gb (-20°C ≤ T <sub>a</sub> ≤ +60°C)	Transmitter: U <sub>i</sub> = 30V, I <sub>i</sub> = 120mA, P <sub>i</sub> = 0.84W, C <sub>i</sub> = 2nF & L <sub>i</sub> = 1μH Each Sensor: U <sub>i</sub> = 15V, I <sub>i</sub> = 50mA, P <sub>i</sub> = 0.12W, C <sub>i</sub> = 145nF & L <sub>i</sub> = 340μH
KST-PL-F-SC-IEC	⊕ II 2G Ex ib IIC T6 Gb (-20°C ≤ T <sub>a</sub> ≤ +60°C)	Transmitter: U <sub>i</sub> = 17.5V, I <sub>i</sub> = 380mA, P <sub>i</sub> = 5.32W, C <sub>i</sub> = 2nF & L <sub>i</sub> = 1μH Each Sensor: U <sub>i</sub> = 15V, I <sub>i</sub> = 50mA, P <sub>i</sub> = 0.12W, C <sub>i</sub> = 145nF & L <sub>i</sub> = 340μH
KST-ET-LF-SC-IEC	⊕ II 2G Ex ia IIC T4 Gb (-40°C ≤ T <sub>a</sub> ≤ +60°C) Ex ia IIC T6 Gb (-40°C ≤ T <sub>a</sub> ≤ +55°C)	Transmitter: U <sub>i</sub> = 24V, I <sub>i</sub> = 100mA, P <sub>i</sub> = 0.75W, C <sub>i</sub> = 5nF & L <sub>i</sub> = 0 Each Sensor: U <sub>i</sub> = 15V, I <sub>i</sub> = 50mA, P <sub>i</sub> = 0.12W, C <sub>i</sub> = 150nF & L <sub>i</sub> = 150μH
KST-AT-LF-SC-IEC	⊕ II 2G Ex ia IIC T4 Gb (-40°C ≤ T <sub>a</sub> ≤ +60°C) Ex ia IIC T6 Gb (-40°C ≤ T <sub>a</sub> ≤ +56°C)	Transmitter: U <sub>i</sub> = 30V, I <sub>i</sub> = 130mA, P <sub>i</sub> = 0.8W, C <sub>i</sub> = 5nF & L <sub>i</sub> = 0.5mH Each Sensor: U <sub>i</sub> = 15V, I <sub>i</sub> = 50mA, P <sub>i</sub> = 0.12W, C <sub>i</sub> = 150nF & L <sub>i</sub> = 150μH
KST-PT-LF-SC-IEC	⊕ II 2G Ex ia IIC T4 Gb (-40°C ≤ T <sub>a</sub> ≤ +60°C) Ex ia IIC T6 Gb (-40°C ≤ T <sub>a</sub> ≤ +45°C)	Transmitter: U <sub>i</sub> = 30V, I <sub>i</sub> = 120mA, P <sub>i</sub> = 0.84W, C <sub>i</sub> = 1nF & L <sub>i</sub> = 10μH Each Sensor: U <sub>i</sub> = 15V, I <sub>i</sub> = 50mA, P <sub>i</sub> = 0.12W, C <sub>i</sub> = 150nF & L <sub>i</sub> = 150μH
KST-RT-LF-SC-IEC	⊕ II 2G Ex ia IIC T6 Gb (-40°C ≤ T <sub>a</sub> ≤ +60°C)	Transmitter: U <sub>i</sub> = 30V, I <sub>i</sub> = 130mA, P <sub>i</sub> = 1.0W, C <sub>i</sub> = 3.6nF & L <sub>i</sub> = 0 Each Sensor: U <sub>i</sub> = 15V, I <sub>i</sub> = 50mA, P <sub>i</sub> = 0.12W, C <sub>i</sub> = 150nF & L <sub>i</sub> = 150μH
KST-PF-LF-SC-IEC	⊕ II 2G Ex ia IIC T6 Gb (-40°C ≤ T <sub>a</sub> ≤ +60°C)	Transmitter: U <sub>i</sub> = 30V, I <sub>i</sub> = 120mA, P <sub>i</sub> = 0.84W, C <sub>i</sub> = 2nF & L <sub>i</sub> = 1μH Each Sensor: U <sub>i</sub> = 15V, I <sub>i</sub> = 50mA, P <sub>i</sub> = 0.12W, C <sub>i</sub> = 150nF & L <sub>i</sub> = 150μH
KST-PL-LF-SC-IEC	⊕ II 2G Ex ib IIC T6 Gb (-40°C ≤ T <sub>a</sub> ≤ +60°C)	Transmitter: U <sub>i</sub> = 17.5V, I <sub>i</sub> = 380mA, P <sub>i</sub> = 5.32W, C <sub>i</sub> = 2nF & L <sub>i</sub> = 1μH Each Sensor: U <sub>i</sub> = 15V, I <sub>i</sub> = 50mA, P <sub>i</sub> = 0.12W, C <sub>i</sub> = 150nF & L <sub>i</sub> = 150μH
KST-ET-T-SC-IEC	⊕ II 2G Ex ia IIC T5 Gb (-20°C ≤ T <sub>a</sub> ≤ +60°C) Ex ia IIC T6 Gb (-20°C ≤ T <sub>a</sub> ≤ +55°C)	Transmitter: U <sub>i</sub> = 24V, I <sub>i</sub> = 100mA, P <sub>i</sub> = 0.75W, C <sub>i</sub> = 5nF & L <sub>i</sub> = 0 Each Sensor: U <sub>i</sub> = 20V, I <sub>i</sub> = 60mA, P <sub>i</sub> = 0.08W, C <sub>i</sub> = 250nF & L <sub>i</sub> = 350μH
KST-AT-T-SC-IEC	⊕ II 2G Ex ia IIC T5 Gb (-20°C ≤ T <sub>a</sub> ≤ +60°C) Ex ia IIC T6 Gb (-20°C ≤ T <sub>a</sub> ≤ +56°C)	Transmitter: U <sub>i</sub> = 30V, I <sub>i</sub> = 130mA, P <sub>i</sub> = 0.8W, C <sub>i</sub> = 5nF & L <sub>i</sub> = 0.5mH Each Sensor: U <sub>i</sub> = 20V, I <sub>i</sub> = 60mA, P <sub>i</sub> = 0.08W, C <sub>i</sub> = 250nF & L <sub>i</sub> = 350μH

Model Number	Certification Code(s)	Input Parameters
KST-PT-T-SC-IEC	⊗ II 2G Ex ia IIC T4 Gb (-20°C ≤ T <sub>a</sub> ≤ +60°C) Ex ia IIC T6 Gb (-20°C ≤ T <sub>a</sub> ≤ +45°C)	Transmitter: U <sub>i</sub> = 30V, I <sub>i</sub> = 120mA, P <sub>i</sub> = 0.84W, C <sub>i</sub> = 1nF & L <sub>i</sub> = 10μH Each Sensor: U <sub>i</sub> = 20V, I <sub>i</sub> = 60mA, P <sub>i</sub> = 0.08W, C <sub>i</sub> = 250nF & L <sub>i</sub> = 350μH
KST-RT-T-SC-IEC	⊗ II 2G Ex ia IIC T6 Gb (-20°C ≤ T <sub>a</sub> ≤ +60°C)	Transmitter: U <sub>i</sub> = 30V, I <sub>i</sub> = 130mA, P <sub>i</sub> = 1.0W, C <sub>i</sub> = 3.6nF & L <sub>i</sub> = 0 Each Sensor: U <sub>i</sub> = 20V, I <sub>i</sub> = 60mA, P <sub>i</sub> = 0.08W, C <sub>i</sub> = 250nF & L <sub>i</sub> = 350μH
KST-PF-T-SC-IEC	⊗ II 2G Ex ia IIC T6 Gb (-20°C ≤ T <sub>a</sub> ≤ +60°C)	Transmitter: U <sub>i</sub> = 30V, I <sub>i</sub> = 120mA, P <sub>i</sub> = 0.84W, C <sub>i</sub> = 2nF & L <sub>i</sub> = 1μH Each Sensor: U <sub>i</sub> = 20V, I <sub>i</sub> = 60mA, P <sub>i</sub> = 0.08W, C <sub>i</sub> = 250nF & L <sub>i</sub> = 350μH
KST-PL-T-SC-IEC	⊗ II 2G Ex ib IIC T6 Gb (-20°C ≤ T <sub>a</sub> ≤ +60°C)	Transmitter: U <sub>i</sub> = 17.5V, I <sub>i</sub> = 380mA, P <sub>i</sub> = 5.32W, C <sub>i</sub> = 2nF & L <sub>i</sub> = 1μH Each Sensor: U <sub>i</sub> = 20V, I <sub>i</sub> = 60mA, P <sub>i</sub> = 0.08W, C <sub>i</sub> = 250nF & L <sub>i</sub> = 350μH
KST-ET-LT-SC-IEC	⊗ II 2G Ex ia IIC T5 Gb (-40°C ≤ T <sub>a</sub> ≤ +60°C) Ex ia IIC T6 Gb (-40°C ≤ T <sub>a</sub> ≤ +55°C)	Transmitter: U <sub>i</sub> = 24V, I <sub>i</sub> = 100mA, P <sub>i</sub> = 0.75W, C <sub>i</sub> = 5nF & L <sub>i</sub> = 0 Each Sensor: U <sub>i</sub> = 20V, I <sub>i</sub> = 20mA, P <sub>i</sub> = 0.2W, C <sub>i</sub> = 150nF & L <sub>i</sub> = 150μH
KST-AT-LT-SC-IEC	⊗ II 2G Ex ia IIC T5 Gb (-40°C ≤ T <sub>a</sub> ≤ +60°C) Ex ia IIC T6 Gb (-40°C ≤ T <sub>a</sub> ≤ +56°C)	Transmitter: U <sub>i</sub> = 30V, I <sub>i</sub> = 130mA, P <sub>i</sub> = 0.8W, C <sub>i</sub> = 5nF & L <sub>i</sub> = 0.5mH Each Sensor: U <sub>i</sub> = 20V, I <sub>i</sub> = 20mA, P <sub>i</sub> = 0.2W, C <sub>i</sub> = 150nF & L <sub>i</sub> = 150μH
KST-PT-LT-SC-IEC	⊗ II 2G Ex ia IIC T4 Gb (-40°C ≤ T <sub>a</sub> ≤ +60°C) Ex ia IIC T6 Gb (-40°C ≤ T <sub>a</sub> ≤ +45°C)	Transmitter: U <sub>i</sub> = 30V, I <sub>i</sub> = 120mA, P <sub>i</sub> = 0.84W, C <sub>i</sub> = 1nF & L <sub>i</sub> = 10μH Each Sensor: U <sub>i</sub> = 20V, I <sub>i</sub> = 20mA, P <sub>i</sub> = 0.2W, C <sub>i</sub> = 150nF & L <sub>i</sub> = 150μH
KST-RT-LT-SC-IEC	⊗ II 2G Ex ia IIC T6 Gb (-40°C ≤ T <sub>a</sub> ≤ +60°C)	Transmitter: U <sub>i</sub> = 30V, I <sub>i</sub> = 130mA, P <sub>i</sub> = 1.0W, C <sub>i</sub> = 3.6nF & L <sub>i</sub> = 0 Each Sensor: U <sub>i</sub> = 20V, I <sub>i</sub> = 20mA, P <sub>i</sub> = 0.2W, C <sub>i</sub> = 150nF & L <sub>i</sub> = 150μH
KST-PF-LT-SC-IEC	⊗ II 2G Ex ia IIC T6 Gb (-40°C ≤ T <sub>a</sub> ≤ +60°C)	Transmitter: U <sub>i</sub> = 30V, I <sub>i</sub> = 120mA, P <sub>i</sub> = 0.84W, C <sub>i</sub> = 2nF & L <sub>i</sub> = 1μH Each Sensor: U <sub>i</sub> = 20V, I <sub>i</sub> = 20mA, P <sub>i</sub> = 0.2W, C <sub>i</sub> = 150nF & L <sub>i</sub> = 150μH
KST-PL-LT-SC-IEC	⊗ II 2G Ex ib IIC T6 Gb (-40°C ≤ T <sub>a</sub> ≤ +60°C)	Transmitter: U <sub>i</sub> = 17.5V, I <sub>i</sub> = 380mA, P <sub>i</sub> = 5.32W, C <sub>i</sub> = 2nF & L <sub>i</sub> = 1μH Each Sensor: U <sub>i</sub> = 20V, I <sub>i</sub> = 20mA, P <sub>i</sub> = 0.2W, C <sub>i</sub> = 150nF & L <sub>i</sub> = 150μH

Table 4: ATEX Only ‘-SC’ Model Certification Code & Input Parameters

Model Number	Certification Code(s)	Input Parameters
KS-M-SC	⊗ II 2G Ex ia IIC T6 Gb (-20°C ≤ T <sub>a</sub> ≤ +60°C)	Volt-Free Contacts: U <sub>i</sub> = 28V, I <sub>i</sub> = 120mA, P <sub>i</sub> = 1.3W, C <sub>i</sub> = 0 & L <sub>i</sub> = 0
KS-MR-SC	⊗ II 2G Ex ia IIC T4 Gb (-20°C ≤ T <sub>a</sub> ≤ +60°C)	Volt-Free Contacts & Resistors: U <sub>i</sub> = 28V, I <sub>i</sub> = 120mA, P <sub>i</sub> = 1.2W, C <sub>i</sub> = 0 & L <sub>i</sub> = 0
KS-LM-SC	⊗ II 2G Ex ia IIC T6 Gb (-40°C ≤ T <sub>a</sub> ≤ +60°C)	Volt-Free Contacts: U <sub>i</sub> = 28V, I <sub>i</sub> = 120mA, P <sub>i</sub> = 1.3W, C <sub>i</sub> = 0 & L <sub>i</sub> = 0
KS-LMR-SC	⊗ II 2G Ex ia IIC T4 Gb (-40°C ≤ T <sub>a</sub> ≤ +60°C)	Volt-Free Contacts & Resistors: U <sub>i</sub> = 28V, I <sub>i</sub> = 120mA, P <sub>i</sub> = 1.2W, C <sub>i</sub> = 0 & L <sub>i</sub> = 0
KS-P-SC	⊗ II 2G Ex ia IIC T5 Gb (-25°C ≤ T <sub>a</sub> ≤ +57°C) Ex ia IIC T6 Gb (-25°C ≤ T <sub>a</sub> ≤ +42°C)	Each Sensor: U <sub>i</sub> = 16V, I <sub>i</sub> = 52mA, P <sub>i</sub> = 0.169W, C <sub>i</sub> = 100nF & L <sub>i</sub> = 550μH

Model Number	Certification Code(s)	Input Parameters
KS-PH-SC	⊕ II 2G Ex ia IIC T6 Gb (-25°C ≤ T <sub>a</sub> ≤ +60°C)	Each Sensor: U <sub>i</sub> = 16V, I <sub>i</sub> = 25mA, P <sub>i</sub> = 0.034W, C <sub>i</sub> = 100nF & L <sub>i</sub> = 550μH
KS-LP-SC	⊕ II 2G Ex ia IIC T5 Gb (-40°C ≤ T <sub>a</sub> ≤ +60°C) Ex ia IIC T6 Gb (-40°C ≤ T <sub>a</sub> ≤ +45°C)	Each Sensor: U <sub>i</sub> = 16V, I <sub>i</sub> = 52mA, P <sub>i</sub> = 0.169W, C <sub>i</sub> = 120nF & L <sub>i</sub> = 200μH
KS-LPH-SC	⊕ II 2G Ex ia IIC T6 Gb (-40°C ≤ T <sub>a</sub> ≤ +60°C)	Each Sensor: U <sub>i</sub> = 16V, I <sub>i</sub> = 25mA, P <sub>i</sub> = 0.034W, C <sub>i</sub> = 120nF & L <sub>i</sub> = 200μH
KS-LP-50-SC	⊕ II 2G Ex ia IIC T5 Gb (-40°C ≤ T <sub>a</sub> ≤ +60°C) Ex ia IIC T6 Gb (-40°C ≤ T <sub>a</sub> ≤ +45°C)	Each Sensor: U <sub>i</sub> = 16V, I <sub>i</sub> = 52mA, P <sub>i</sub> = 0.169W, C <sub>i</sub> = 70nF & L <sub>i</sub> = 150μH
KS-LPH-50-SC	⊕ II 2G Ex ia IIC T6 Gb (-40°C ≤ T <sub>a</sub> ≤ +60°C)	Each Sensor: U <sub>i</sub> = 16V, I <sub>i</sub> = 25mA, P <sub>i</sub> = 0.034W, C <sub>i</sub> = 70nF & L <sub>i</sub> = 150μH
KS-F-SC	⊕ II 2G Ex ia IIC T6 Gb (-20°C ≤ T <sub>a</sub> ≤ +60°C)	Each Sensor: U <sub>i</sub> = 15V, I <sub>i</sub> = 50mA, P <sub>i</sub> = 0.12W, C <sub>i</sub> = 145nF & L <sub>i</sub> = 340μH
KS-LF-SC	⊕ II 2G Ex ia IIC T6 Gb (-40°C ≤ T <sub>a</sub> ≤ +60°C)	Each Sensor: U <sub>i</sub> = 15V, I <sub>i</sub> = 50mA, P <sub>i</sub> = 0.12W, C <sub>i</sub> = 150nF & L <sub>i</sub> = 150μH
KS-T-SC	⊕ II 2G Ex ia IIC T6 Gb (-20°C ≤ T <sub>a</sub> ≤ +60°C)	Each Sensor: U <sub>i</sub> = 20V, I <sub>i</sub> = 60mA, P <sub>i</sub> = 0.08W, C <sub>i</sub> = 250nF & L <sub>i</sub> = 350μH
KS-LT-SC	⊕ II 2G Ex ia IIC T6 Gb (-40°C ≤ T <sub>a</sub> ≤ +60°C)	Each Sensor: U <sub>i</sub> = 20V, I <sub>i</sub> = 20mA, P <sub>i</sub> = 0.20W, C <sub>i</sub> = 150nF & L <sub>i</sub> = 150μH

Table 5: Proximity Switches / Sensors and Transmitters Certification Details

Model Code	Proximity Switches/Sensors & Transmitter	ATEX Certificate No(s).
P	Type 3 Pepperl and Fuchs Proximity Switches / Sensors	PTB 99 ATEX 2219X PTB 00 ATEX 2032X PTB 00 ATEX 2048X PTB 00 ATEX 2049X
PH	Type 1 Pepperl and Fuchs Proximity Switches / Sensors	PTB 99 ATEX 2219X PTB 00 ATEX 2032X PTB 00 ATEX 2048X PTB 00 ATEX 2049X
LP	Type 3 -40°C Low Ambient Temperature Pepperl and Fuchs Proximity Switches / Sensors	PTB 00 ATEX 2049X
LP-50	Type 3 -50°C Low Ambient Temperature Pepperl and Fuchs Proximity Switches / Sensors	PTB 00 ATEX 2049X
LPH	Type 1 -40°C Low Ambient Temperature Pepperl and Fuchs Proximity Switches / Sensors	PTB 00 ATEX 2049X
LPH-50	Type 1 -50°C Low Ambient Temperature Pepperl and Fuchs Proximity Switches / Sensors	PTB 00 ATEX 2049X
F	IFM Proximity Switches / Sensors	PTB 01 ATEX 2191
LF	-40°C Low Ambient Temperature IFM Proximity Switches / Sensors	BVS 08 ATEX E 026
PF	-40°C Low Ambient Temperature PR Electronics Transmitter	KEMA 02 ATEX 1318
PL	-40°C Low Ambient Temperature PR Electronics FISCO 'ib' Transmitter	KEMA 02 ATEX 1318
T	Hans Turck GmbH Proximity Switches / Sensors	KEMA 02 ATEX 1090X
LT	-40°C Low Ambient Temperature Hans Turck GmbH Proximity Switches / Sensors	KEMA 02 ATEX 1090X
ET	Endress & Hauser Transmitters	PTB 07 ATEX 2056 PTB 04 ATEX 2053 PTB 01 ATEX 2013
AT	ABB Automation Product GmbH Transmitters	PTB 05 ATEX 2017X
PT	PR Electronics Transmitters	KEMA 03ATEX1535 KEMA 03ATEX1537
RT	Rosemount Transmitters	Baseefa03ATEX0030X Baseefa08ATEX0030X



**16 Report Number**

GB/BAS/ExTR16.0262/00

**17 Specific Conditions of Use**

None

**18 Essential Health and Safety Requirements**

In addition to the Essential Health and Safety Requirements (EHSRs) covered by the standards listed at item 9, the following are considered relevant to this product, and conformity is demonstrated in the report:

Clause	Subject
1.2.7	LVD type requirements
1.2.8	Overloading of equipment (protection relays, etc.)
1.4.1	External effects
1.4.2	Aggressive substances, etc.

**19 Drawings and Documents**

Number	Sheet	Issue	Date	Description
Documents as listed in Certificate No. Baseefa08ATEX0013 Issue 7				
C13909	1 of 7	1	14.11.16	Intrinsically Safe ATEX Certified K1 & K2 Series – Topworx Sensors / Transmitter Options
C13909	2 of 7	1	13.11.16	Intrinsically Safe ATEX Certified K1 & K2 Series Topworx Switchbox Certification Label – Type KS-
C13909	3 of 7	1	14.11.16	Intrinsically Safe ATEX Certified K1 & K2 Series Topworx Switchbox Certification Label – Type KSR-
C13909	4 of 7	1	14.11.16	Intrinsically Safe ATEX Certified K1 & K2 Series – Topworx – Transmitter + VF Contacts Certification Label – Type KST-
C13909	5 of 7	1	14.11.16	Intrinsically Safe ATEX Certified K1 & K2 Series – Topworx – Transmitter + P&F Sensors Certification Label – Type KST-
C13909	6 of 7	1	14.11.16	Intrinsically Safe ATEX Certified K1 & K2 Series – Topworx – Transmitter + IFM Sensors Certification Label – Type KST-
C13909	7 of 7	1	14.11.16	Intrinsically Safe ATEX Certified K1 & K2 Series – Topworx – Transmitter + Turck Sensors Certification Label – Type KST-
C13910	1 of 6	1	14.11.16	Intrinsically Safe ATEX Certified K1 & K2 Series Topworx Switchbox Certification Label – Type KS-II 2 G with Seacon Connector Suffix –SC
C13910	2 of 6	1	14.11.16	Intrinsically Safe ATEX Certified K1 & K2 Series Topworx Switchbox Certification Label – Type KSR-II 2 G with Seacon Connector Suffix –SC
C13910	3 of 6	1	14.11.16	Intrinsically Safe ATEX Certified K1 & K2 Series Topworx – Transmitter + VF Contacts Certification Label – Type KST – Certification Label II 2 G with Seacon Connector Suffix –SC
C13910	4 of 6	1	14.11.16	Intrinsically Safe ATEX Certified K1 & K2 Series - Topworx – Transmitter + P&F Sensors Certification Label – Type KST – Certification Label II 2 G with Seacon Connector Suffix –SC

---

Number	Sheet	Issue	Date	Description
C13910	5 of 6	1	14.11.16	Intrinsically Safe ATEX Certified K1 & K2 Series - Topworx - Transmitter + IFM Sensors Certification Label - Type KST - Certification Label II 2 G with Seacon Connector Suffix -SC
C13910	6 of 6	1	14.11.16	Intrinsically Safe ATEX Certified K1 & K2 Series - Topworx - Transmitter + Turck Sensors Certification Label - Type KST - Certification Label II 2 G with Seacon Connector Suffix -SC

The above drawings are associated and held with IECEx Certificate No. IECEx BAS 16.0109 Iss. 0