

Manifolds - Four Valve

A double isolate/vent block for applications with differential pressure transmitters where contamination of process streams is not permitted

General Application

The AS4 TVIS 2/2 is part of the Anderson Greenwood Modular Mounting System and used for flow measurement and level measurement applications with differential pressure transmitters where contamination of process streams is not permitted. MES-C SPE: 60.98.56/201 type B

TECHNICAL DATA

Materials

AISI 316 SS

Connections:
Instrument:

Flanged for direct mounting 2^{1/8} (54 mm) centres and in accordance with DIN 19231 pt 2

Process:

G^{1/4} parallel threaded

Vent:

G^{1/4} parallel threaded

Pressure (max):

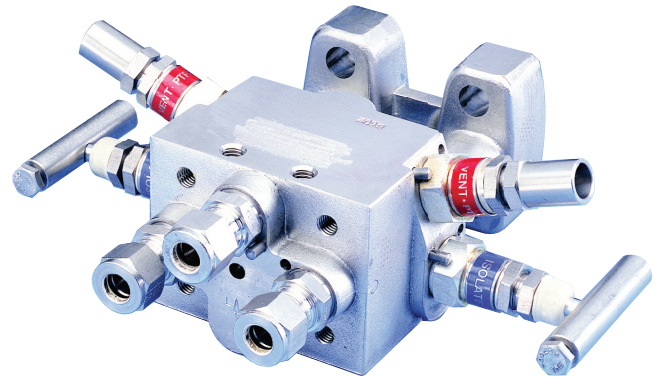
413 bar at 38°C

Temperature (max):
PTFE packing:

200°C

Graphite packing:

550°C



Manifold shown with factory installed tube fittings

Features

- Compact design provides lower installation costs and fewer potential leak points.
- Parallel thread metal-to-metal seals on process and vent connections.
- Vent valves fitted with anti-tamper facility.
- T-bar handle on isolate bonnet assembly.
- All bonnet assemblies color coded and function identified.
- Optional factory installed tube fittings in process and vent ports.
- Readily accepts a full range of accessories.

AS4 TVIS 2/2 SERIES

Manifolds - Four Valve

Product Overview

The AS4 TVIS 2/2 manifold can be bolted directly onto a standard mounting plate, eliminating the need for extra bracketing and minimizing pipework on site. The AS4 TVIS 2/2 has also been designed to be fitted with a full range of accessories. The manifold body has an identification for 'Gas' (vent port orientation below process ports) or 'Liquid' (vent port orientation above process ports) service.

Sour Gas Service

Manifolds are available in materials which comply with the NACE standard MR-01-75 which covers metallic material requirements for resistance to sulfide stress cracking.

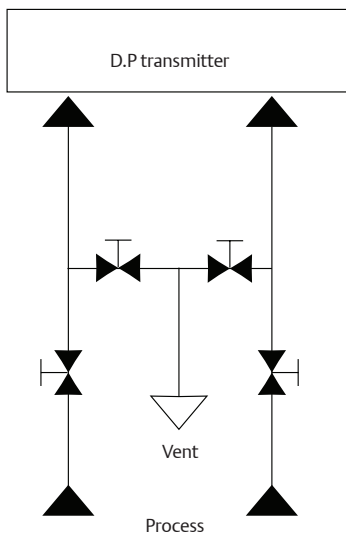
Standard Valve Materials

Valve	Wetted parts				Non-wetted parts
	Valve body	Bonnet	Stem	Ball seat	Handle, jam nut and bushing
316 SS	A351-CF8M/CF3M	316 SS	316 SS	316 SS	Austenitic SS
Sour Gas	A351-CF8M/CF3M	316 SS	Alloy 400	Alloy K500	Austenitic SS

NOTE

- Instrument mounting: Four 7/16" UNF stainless steel mounting bolts (Grade ASTM A193 B8M.CL2) are supplied as standard. Two PTFE seal rings are supplied with the PTFE packed bonnets and two graphite rings are supplied with the graphite packed bonnets.

Valve Schematic



Manifolds - Four Valve

Selection Guide

AS4T	V	I	S	-2	/2	-SG	-GYM
BASIC SERIES	BONNET PACKING	SEAT	BODY MATERIAL	PROCESS CONNECTION	MANIFOLD CONFIGURATION	MANIFOLD OPTIONS	PROCESS/VENT CONNECTION FITTINGS
Valve Type AS4T Screwed x flanged	V PTFE H Graphite	I Integral	S 316 SS	2 G ^{1/4"}	/2 Double isolate/ vent block	SG (Sour Gas) NACE edition 2003/ MR0103 OC00 Oxygen clean (OC) K Anti-tamper bonnet key SS All 316 SS construction	GYM Gyrolok metric (10 mm OD) GYI Gyrolok imperial (3/8" OD) SKM Swagelok metric (10 mm OD) SKI Swagelok imperial (3/8" OD)

NOTE

Manifolds are available in Monel® and Hastelloy®. Please consult the factory for availability and delivery. Monel® is a registered trademark of the Special Metals Corporation. Hastelloy® is a registered trademark of Haynes International, Inc.