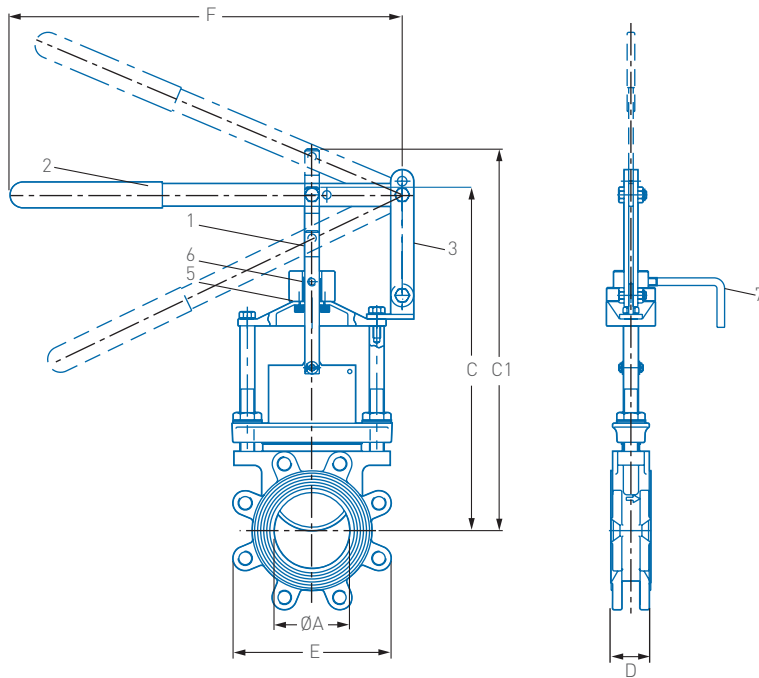


## CLARKSON QUICK ACTING LEVER

FIGURE 459

Manually operated quick acting lever for knife gate valves



### FEATURES

- The quick acting lever provides a means of achieving rapid valve operation without compromising smoothness of actuation. It also has an infinitely adjustable travel stop facility as standard.
- Available on sizes DN 50 to 200 (NPS 2 to 8) for F952 lugged style valves.

### PARTS LIST

No.	Description	Material
1	Shaft	304 S/S
2	Lever arm	304 S/S
3	Pivot arm	304 S/S
4	Pivot anchor	304 S/S
5	Bearing housing	304 S/S
6	Bush	Bronze
7	Lock	304 S/S

### TECHNICAL DATA

Size range: DN 50 - 200 (NPS 2 - 8)

### DIMENSIONS mm (inches)

Valve size							Nom. mass kg
DN (NPS)	ØA bore	C	C1	D	E	F	(lbs )F952 lugged
50 (2)	50 (1.97)	350 (13.80)	407 (16.00)	48 (1.90)	160 (6.30)	513 (20.20)	10 (22)
65 (2½)	65 (2.56)	357 (14.05)	427 (16.80)	48 (1.90)	173 (6.80)	513 (20.20)	12 (27)
80 (3)	80 (3.15)	380 (15.00)	467 (18.40)	51 (2.00)	191 (7.50)	513 (20.20)	14 (31)
100 (4)	100 (3.94)	394 (15.50)	501 (19.75)	51 (2.00)	222 (8.75)	513 (20.20)	16 (35)
125 (5)	125 (4.92)	567 (22.32)	703 (27.70)	57 (2.25)	256 (10.00)	750 (29.50)	26 (57)
150 (6)	150 (5.91)	578 (22.75)	740 (29.15)	57 (2.25)	282 (11.10)	750 (29.50)	26 (57)
200 (8)	200 (7.87)	636 (25.00)	845 (33.25)	70 (2.75)	340 (13.40)	750 (29.50)	38 (84)

Note: All dimensions are nominal.

Neither Emerson, Emerson Automation Solutions, nor any of their affiliated entities assumes responsibility for the selection, use or maintenance of any product. Responsibility for proper selection, use, and maintenance of any product remains solely with the purchaser and end user.

Clarkson is a mark owned by one of the companies in the Emerson Automation Solutions business unit of Emerson Electric Co. Emerson Automation Solutions, Emerson and the Emerson logo are trademarks and service marks of Emerson Electric Co. All other marks are the property of their respective owners.

The contents of this publication are presented for informational purposes only, and while every effort has been made to ensure their accuracy, they are not to be construed as warranties or guarantees, express or implied, regarding the products or services described herein or their use or applicability. All sales are governed by our terms and conditions, which are available upon request. We reserve the right to modify or improve the designs or specifications of such products at any time without notice.

[Emerson.com/FinalControl](http://Emerson.com/FinalControl)