



14th Floor, Centre Tower
3300 Bloor Street West
Toronto, Ontario
Canada M8X 2X4
Tel.: 416.734.3300
Fax: 416.231.1626
Toll Free: 1.877.682.8772
www.tssa.org

April 19, 2011

VANJA TERZIC
RCM TECHNOLOGIES CANADA CORPORATION
895 BROCK ROAD S
PICKERING ON L1W 3C1

Service Request Type.: BPV-National AB
Service Request No.: 536742
Your Reference No.: 1.013014-EAC

Dear VANJA TERZIC,

Please find enclosed the original response from AB registered under the CRN No.: 0F14081.52.

As all jurisdictional fees are handled by the Technical Standards and Safety Authority (TSSA), you do not pay any jurisdictions directly. However, once your design has been successfully registered in all of the requested jurisdictions, you may receive an invoice from TSSA for any outstanding jurisdictional fees.

Should you have any questions or require further assistance, I will be happy to assist you. For general enquiries, please contact a Customer Service Advisor at 1.877.682.TSSA (8772) or e-mail customerservices@tssa.org. When contacting TSSA regarding this file, please refer to the Service Request number provided above.

Yours truly,

Farhiya Noor
Administrative Assistant_ BPV Engineering
Tel. : 416-734-3423
Fax : 416-231-6183
Email : fnoor@tssa.org

April 07, 2011

Anna Sebastampillai
TECHNICAL STANDARDS & SAFETY AUTHORITY
3300 BLOOR STREET WEST
14 FLOOR CENTRE TOWER
TORONTO, ON M8X 2X4

Dear Anna Sebastampillai,

The design submission, tracking number 2011-01168, originally received on February 25, 2011 was surveyed and accepted for registration as follows:

CRN : 0F14081.52

Accepted on: April 07, 2011

Reg Type : New Design

Expiry Date: February 02, 2021

Drawing No. : 1700721 Rev A

Fitting Desc: MODEL 3900 SENSORS(MAWP 60PSI @ 212 DEG.F)

Design registered in the name of : EMERSON PROCESS MANAGEMENT

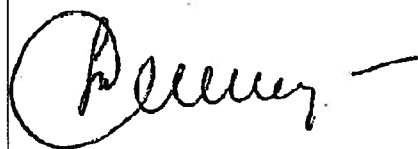
The registration is conditional on your compliance with the following notes:

This registration is valid until the indicated expiry date only if the Manufacturer maintains a valid quality management system approved by an acceptable third-party agency until that date. Should the approval of the quality management system lapse before the expiry date indicated above, this registration shall become void.

An invoice covering survey and registration fees will be forwarded from our Revenue Accounts.

Enclosed are stamped prints for your reference.

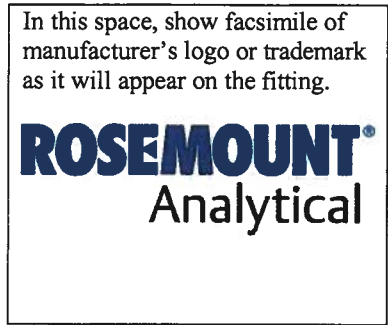
Sincerely,



ONSHCHENKO, TETYANA, P. Eng.
Design Survey Engineer



STATUTORY DECLARATION
Registration of Fittings



I, Dana Crowley,
Manager of Compliance and Test Engineering
(company title, e.g. vice president, plant manager, chief engineer) (must be in a position of authority)
of Emerson Process Management, Rosemount Analytical Inc.
(name of manufacturer)

located at 2400 Barranca Parkway, Irvine CA USA
(plant address)

do solemnly declare that the fittings listed hereunder, which are subject to the Safety Codes Act (check one)

- comply with the requirements of _____ which specifies the dimensions,
(title of recognized North American Standard)
materials of construction, pressure/temperature ratings and identification marking of the fittings, or
- are not covered by the provisions of a recognized North American standard and are therefore manufactured to comply with proprietary design as supported by the attached data which identifies the dimensions, materials of construction, pressure/temperature ratings and the basis for such ratings, and the marking of the fittings for identification.

I further declare that the manufacture of these fittings is controlled by a quality control program which has been verified by the following authority, Det Norske Veritas (ISO 9001:2008) as being suitable for the manufacture of these fittings to the stated standard. The fittings covered by this declaration, for which I seek registration, are pH sensors

In support of this application, the following information, calculations and/or test data are attached:

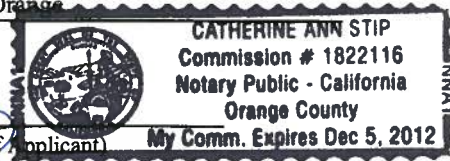
Model 3900 pH sensor proof pressure tests (RCMT test report 13014-TRT-00001, Rev00) & drawing number 1700721

DECLARED before me at Irvine in the _____ County of Orange

this 14TH day of January, 2011
(Month) (Year)

(print) CATHERINE ANN STIP
(sign) Catherine Ann Stip
(A Commissioner for Oaths)

Dana Crowley
(Signature of Applicant)



For Office Use Only

To the best of my knowledge and belief, the application meets the requirements of the Safety Codes Act and CSA Standard B51, Clause 4.2, and is accepted for registration in Category F

Registration Number: 0 F 1 4 0 8 1 . 5 2

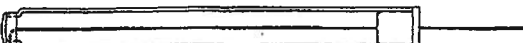


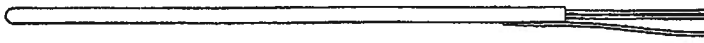
Date Registered: APR 07 2011

Welles
(For the Administrator/Chief Inspector of Alberta)
Expiry Date: February 2, 2021

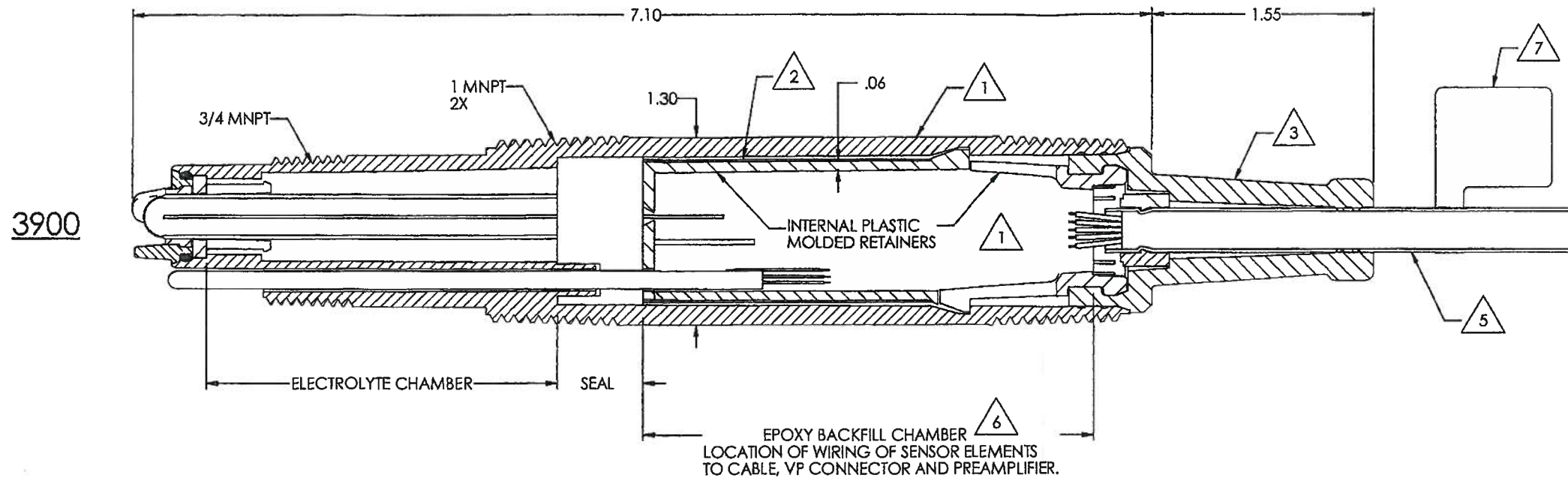
This document contains information proprietary to Rosemount Analytical and is not to be made available to those who may compete with Rosemount Analytical.

REVISION				
LTR	ECO	DESCRIPTION	BY	DATE

GENERAL STRUCTURE OF 3900 SENSORS

-  ORP ELECTRODE: GLASS BODY, PLATINUM WIRE .010" DIAMETER
-  pH ELECTRODE: GLASS BODY, SILVER WIRE .020" DIAMETER
-  REFERENCE ELECTRODE: MOLDED PPS BODY, SILVER WIRE .040" DIAMETER
-  RTD: PT100 AND CONNECTION WIRES ENCLOSED SST TUBE. WIRES ARE 24 GA, RED, TEFLON, 250V. SOLUTION GROUND WIRE SOLDERED TO OD OF SST TUBE. WIRE IS 24 GA, BLUE, TEFLON, 250V.

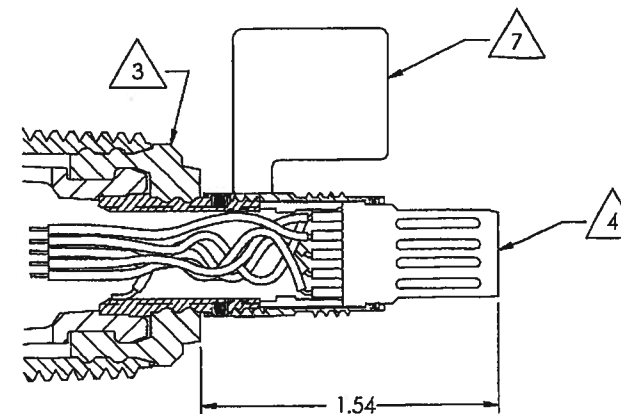
ALBERTA BOILERS SAFETY ASSOCIATION
 PROVINCE OF ALBERTA
 SAFETY CODES ACT
 REGISTRATION OF FITTINGS
OF 14081.52
 REGISTRATION NO. 1700721 Rev. A
 DWG NO. 1700721
 Model 3900 Sensor
 TYPE OF FITTINGS MAWP 60 PSI @ 212°F
 APR 07 2011 INITIALS *Pellegrini*
 TETIANA ONSHCHENKO



For pressure boundary only
 LICENSED PROFESSIONAL ENGINEER
 V. ABRAMOVIC
 Jan. 19, 2011
 PROVINCE OF ONTARIO

- 9 THE PCB ASSEMBLY IS COATED WITH RTV 9220651 TO A DEPTH OF AT LEAST 2mm OVER ALL COMPONENTS EXCEPT R6. THE RTV COATING IS OPTIONAL IF THE PCB IS POTTED IN EPOXY 9220545 WITH CATALYST 9220547.
- 8 CROSS-LINKED POLYOLEFIN SHRINK TUBING:
 a: ALPHA FIT221-1/16, .017" RECOVERED WALL, NOM.
 b: ALPHA FIT221-1/8, OR RAYCHEM RNF-100-1/8-CL-STK, .020" RECOVERED WALL, NOM.
- 7 SENSOR LABEL (9241491-00), BASEEFA LABEL INFORMATION DRAWING (9241722-00), CSA LABEL INFORMATION DRAWING (9241723-00), FM LABEL INFORMATION DRAWING (9241724-00). (INFORMATION ON INDIVIDUAL AGENCY DRAWINGS MAY CHANGE WITHOUT REQUIRING APPROVAL FROM OTHER AGENCIES.)
- 6 BACKFILL:
 EPOXY PAX EP-185AB, SERVICE TEMPERATURE TO 121C, CTI >100
 EPOXY PAX EP-204/EP-RT3 CATALYST, SERVICE TEMPERATURE -40C TO 130C, CTI >100
 EPOXIES ETC 20-3001 (RNCC21/CCL22), SERVICE TEMPERATURE -50C TO 150C, CTI >100
 EPOXY PAX EP-204/HT 1 CATALYST, SERVICE TEMPERATURE -20C TO 230C, CTI >100

3900VP,
CONNECTOR END



THIS DOCUMENT IS CERTIFIED BY
 REV. _____
 REV. _____
 REV. _____
 REV. _____
 REV. _____
 REVISIONS NOT PERMITTED WITHOUT AGENCY APPROVAL

CABLE PN	CAPACITANCE	INDUCTANCE	MAXIMUM LENGTH
	F/FT	H/FT	
9200348	1.4241 x 10 ⁻⁹	1.6975 x 10 ⁻²	500 FT

- 4 VARIOPOL PLUGHEAD: PEEK INSULATOR; CONTACTS 2 MICROMETER GOLD OVER NICKEL; SOLDER CONNECTION
- 3 MATERIAL: SANTOPRENE 101-55 BLACK
- 2 COPPER/MYLAR SHIELD, TYPE A, 0.005" THICK
- 1 MATERIAL: POLYPHENYLENE SULFIDE (PPS), 40% GLASS FILLED, RTP 1307D SC700281

NOTES: UNLESS OTHERWISE SPECIFIED

APPROVALS			DATE	Emerson ROSEMOUNT ANALYTICAL	
DRAWN	C. HOANG		11-11-10	TITLE	3900 SENSOR APPROVAL DRAWING
CHECKED	J. PERKINS		11-19-10	SIZE	DWG NO 1700721
ENG APPR	<i>bme</i>		12-3-10	SCALE	2:1
THIS FILE CREATED USING SOLID EDGE				WEIGHT:	SHEET 1 OF 2
RELEASE DATE	ECO NO	REV			

D 1700721
C
ENGR MASTER

A

This document contains information proprietary to Rosemount Analytical, and is not to be made available to those who may compete with Rosemount Analytical.

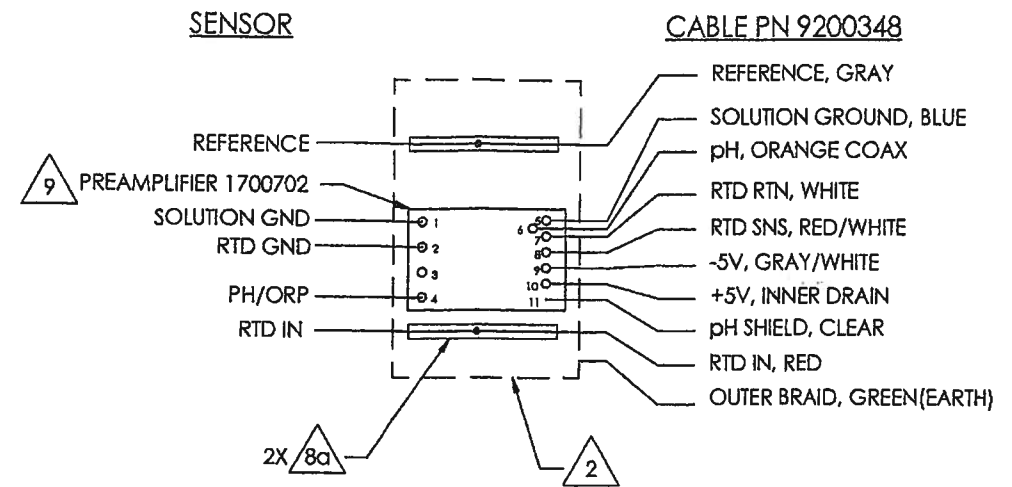
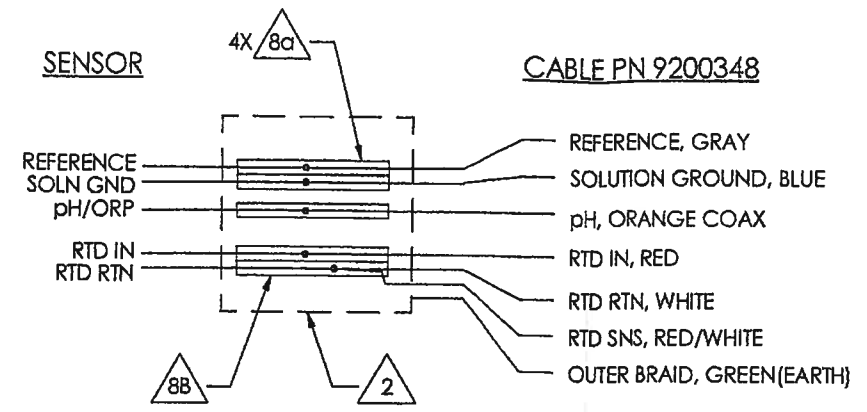
LTR		ECO	REVISION	DESCRIPTION	BY	DATE	CHECKED/APPROVED
D	1700721						

3900 AND 3900VP WIRING DIAGRAMS

ALL CONNECTIONS ARE SOLDER CONNECTIONS.

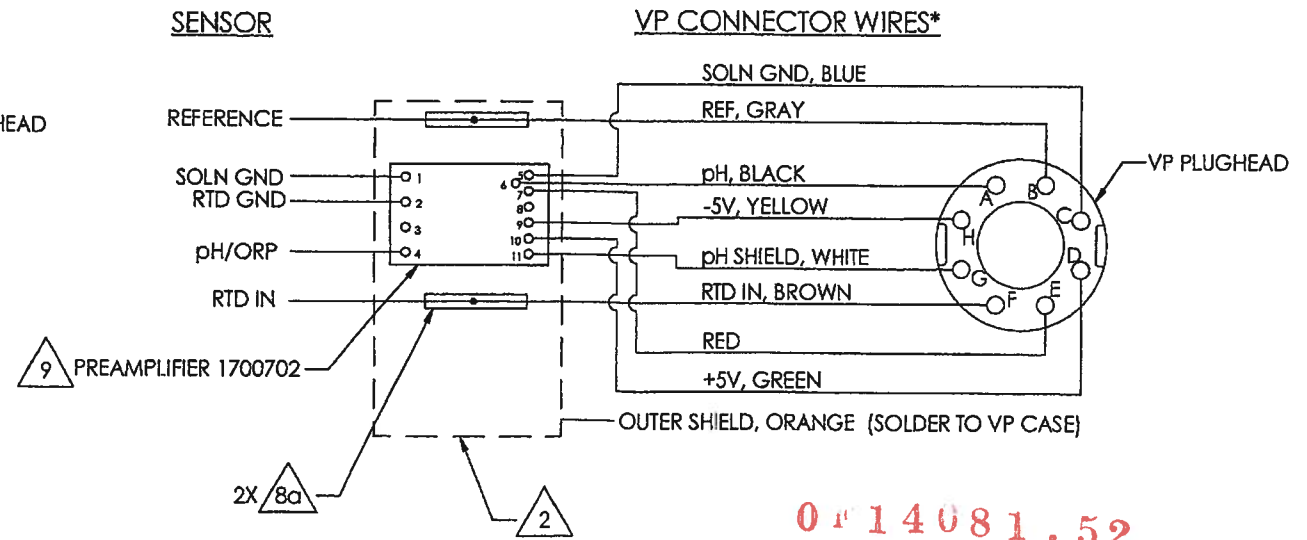
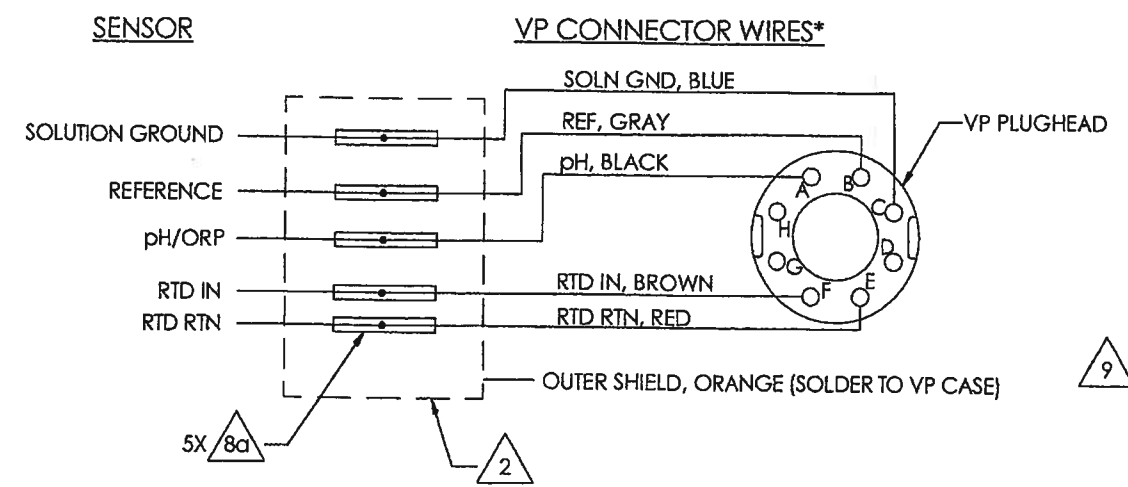
3900

- MODEL 3900 pH/ORP SENSOR
- CODE PREAMPLIFIER OPTION
 01 PREAMPLIFIER
 02 NO PREAMPLIFIER
- CODE MEASURING ELECTRODE
 10 GENERAL PURPOSE LOW RESISTIVITY GPLR pH GLASS (0 - 14 pH)
 12 PLATINUM ORP
- CODE SPECIAL CABLE LENGTH (OPTIONAL SELECTION)
 99CB(XXFT) USER SPECIFIED LENGTH UP TO 500 FT (150 M) CABLE
- EXAMPLE: 3900-02-10-99CB(50 FT)



3900VP

- MODEL 3900VP pH/ORP SENSOR
- CODE PREAMPLIFIER OPTION
 01 PREAMPLIFIER
 02 NO PREAMPLIFIER
- CODE MEASURING ELECTRODE
 10 GENERAL PURPOSE LOW RESISTIVITY GPLR pH GLASS (0 - 14 pH)
 12 PLATINUM ORP
- EXAMPLE: 3900VP-01-10



REFERENCE ASSEMBLY DRAWING FOR 3900:
 TITLE: ASSY DWG, MODEL 3900
 DRAWING NO.: AD3900

REFERENCE ASSEMBLY DRAWING FOR 3900VP:
 TITLE: ASSY DWG, MODEL 3900VP
 DRAWING NO.: AD3900VP

* ALL VP CONNECTOR WIRES ARE 24 GA, TEFLON 250V EXCEPT THE ORANGE WIRE WHICH IS 22 GA.

NOTES: UNLESS OTHERWISE SPECIFIED

0114081.52
 APR 07 2011

D	DWG NO	1700721	REV	A
SCALE	NONE	TYPE	SHEET 2 OF 2	

JENGR MASTER