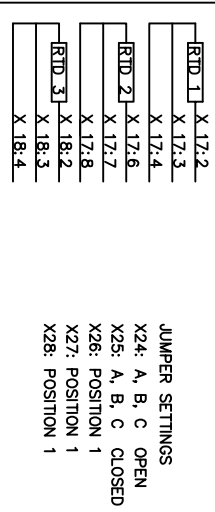
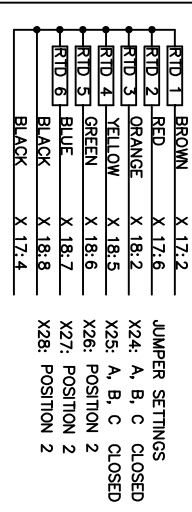


TRANSMITTER HEAD TH 43..

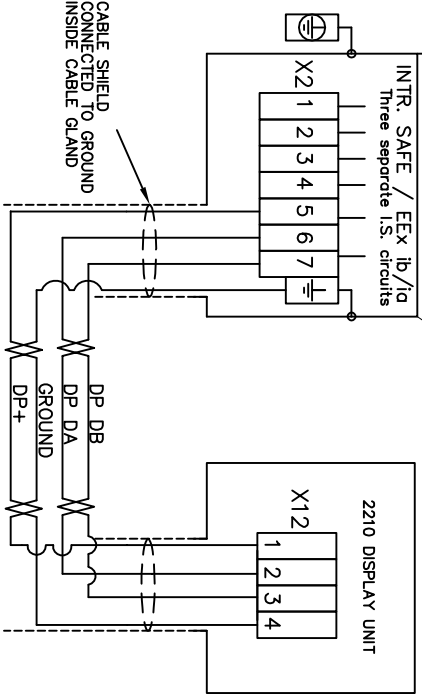
CONNECTING THE SENSORS SPOT ELEMENTS 3—WIRE INDEPENDENT



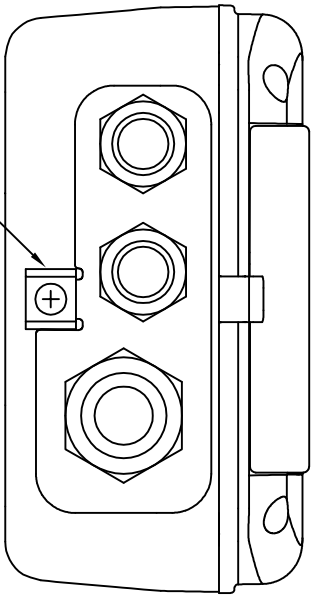
MULTIPLE SPOT ELEMENTS WITH COMMON RETURN



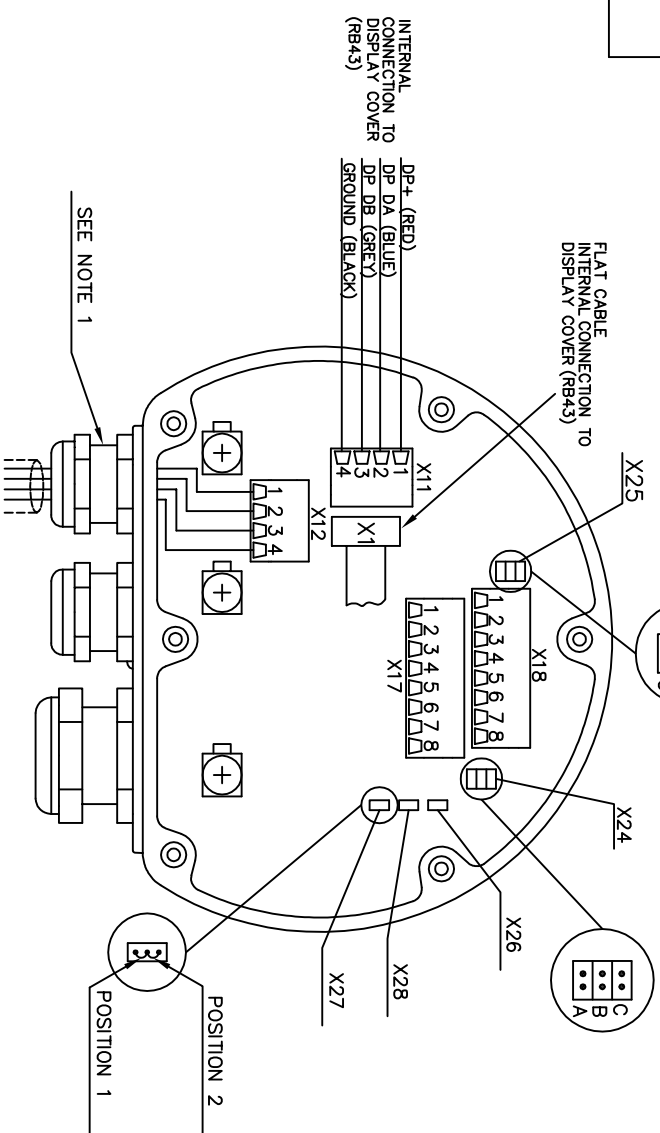
EEx de [Ib/ia] IIC T6
NON-HAZARDOUS AREA INSIDE



- ALL INCOMING CABLES MUST HAVE MIN 0.25 mm INDIVIDUAL INSULATION FOR VALID I.S. INSTALLATION.
 - TANK EARTH CONNECTION MIN 4 SQMM REQUIRED FOR INST. ACC. TO CENELEC.
 - SHIELDED CABLE RECOMMENDED FOR VALID EMC PERFORMANCE ACC. TO EN 50082-2.
 - EMC OUSURE IS EARTHED LOCALLY ON THE TANK FOR EXPLOSION PROTECTION AND ELECTRICAL SAFETY. A SEPARATE PROTECTIVE EARTH CONNECTION TO DISTRIBUTION CENTRAL IS NOT RECOMMENDED UNLESS REQUIRED BY NATIONAL AUTHORITIES. A GROUND LOOP WITH CIRCULATING CURRENT MAY OCCUR.
 - THE REMOTE DISPLAY BOARD (RB 43.) CONSISTS OF ONE INTRINSICALLY SAFE CIRCUIT FOR CONTROLLING ONE LDD-MODULE AND THE (TP 40.) BOARD.
- | | | | | | |
|----------------------|----|----|----|----|----|
| DP+, DPDA, DPDB, GND | P1 | U1 | I1 | C1 | L1 |
| | | | | | |
- THE TEMPERATURE PANEL CARD (TP 40.) OPTION CONSISTS OF ONE INTRINSICALLY SAFE CIRCUIT FOR CONNECTION OF UP TO SIX RESISTANCE TEMPERATURE DETECTORS (SIMPLE APPARATUS).
 - OPTIONAL CONNECTION IS BY MAX 100 M SHIELDED CABLE.
 - MIN AWG 20 OR MIN 0.5 SQMM (CUSTOMER SUPPLY).
 - FOR VALID EMC PERFORMANCE SHALL THE CABLE SHIELD BE CIRCULAR CONNECTED INSIDE THE CABLE GLANDS.



EARTH CLAMP FOR CABLE AREA 4 SQMM STAINLESS SCREW M4x12 (SEE NOTE 5 AND 7)



IMPORTANT!
HANDLE OPEN COVER WITH CARE TO PREVENT DAMAGE ON DISPLAY CABLING.
TIGHTEN THE COVER SCREWS CROSSWISE TO PREVENT LEAKAGE FROM THE COVER SEAL.

ISSUED BY	WEEK	PRODUCT CODE	TITLE	INSTALLATION DRAWING TITLE
GU-HF	0307	PRO/5600	ACAD	ELECTRICAL INSTALLATION DWG
APPROVED BY	WEEK	ORIGINAL DWG NO.	SCALE	
GST-TK	0307	9150074-928		2210 DU TEMP CONN. - PRO/5600
ROSEMOUNT		1 ST ANGLE	DOC TYPE	DWG NO.
			2	9150074-928
		ISSUE		SHEET
		4		1/1