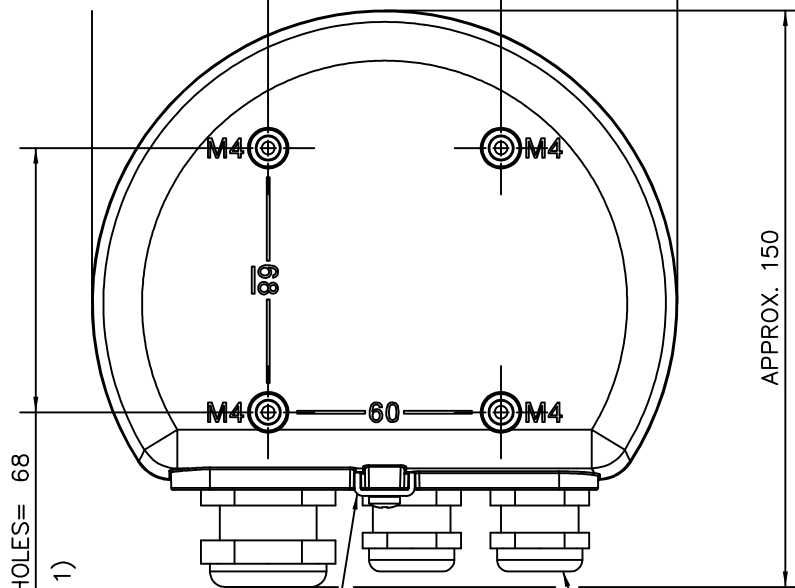


BOX REMOTE  
BACK VIEW

(  $\varnothing 151$  )

DISTANCE BETWEEN HOLES= 60

(SEE NOTE 1)



DISTANCE BETWEEN HOLES= 68

(SEE NOTE 1)

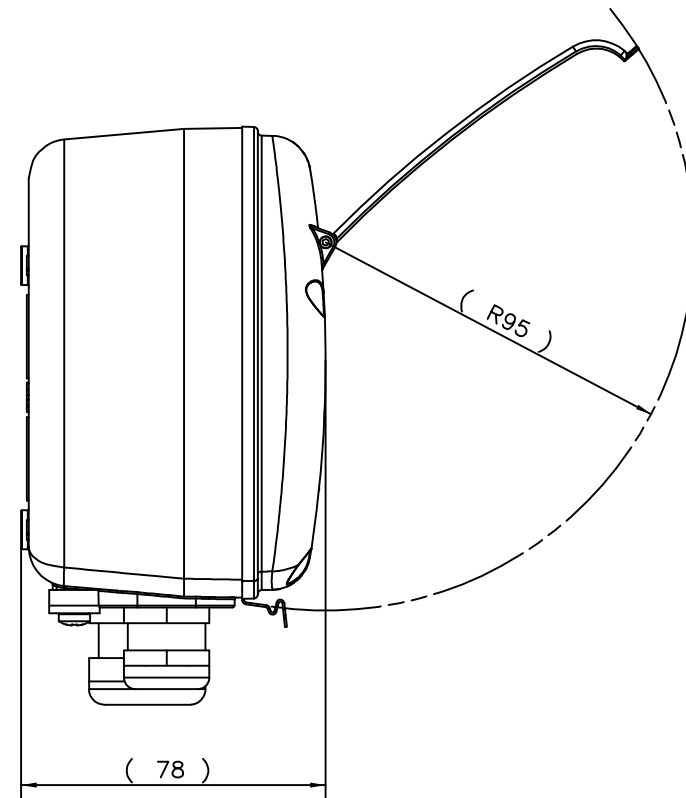
APPROX. 150

CABLE GLAND  
THREAD M25  
MIN CABLE DIAMETER 9 mm  
MAX CABLE DIAMETER 18 mm

EARTH CLAMP

CABLE GLAND (2x)  
THREAD M20  
MIN CABLE DIAMETER 7 mm  
MAX CABLE DIAMETER 14 mm

BOX REMOTE  
SIDE VIEW



( 78 )

( R95 )

- ① DRILL PATTERN FOR MOUNTING OF THE DISPLAY UNIT AT PLATE SUPPLIED BY CUSTOMER. FOUR M4 SCREWS ARE REQUIRED. MAXIMUM DEPTH OF HOLES IS 10mm. 4 PCS M4X12 SUPPLIED BY RTR.

ISSUED BY GU-CK	WEEK 0020	PRODUCT CODE PRO/5600	FILE IDEAS/ACAD	INSTALLATION DRAWING TITLE		
APPROVED BY GST-TK	WEEK 0020	ORIGINAL DWG NO. 9150074-921	SCALE -	MECHANICAL INSTALLATION DWG 2210 DISPLY UNIT / RDU 40		
<b>ROSEMOUNT</b>			1 ST ANGLE ⊕	DOC TYPE 2	DWG NO. 9150074-921	ISSUE 3
THE COPYRIGHT/OWNERSHIP OF THIS DOCUMENT IS AND WILL REMAIN OURS. THE DOCUMENT MUST NOT BE USED WITHOUT OUR AUTHORIZATION OR BROUGHT TO THE KNOWLEDGE OF A THIRD PARTY. CONTRAVENTION WILL BE PROSECUTED. ROSEMOUNT TANK RADAR AB, SWEDEN.				SHEET 1/1		